

Video Security



EDC-142E2

1/4" Day&Night High Speed Economy Dome Camera, 22x Zoom Lens, 24VAC, 480TVL

Art-No. 74117

SLD Security &
Communications



Features

Colour/B&W Dome Camera (Super HAD Colour CCD)
Wide Dynamic Range (WDR)
22x Optical and 10x Digital Zoom (220 Total)
Zoom Lens: F1.6/3.9-85.8mm
Removable IR Cut Filter
Pattern, Tour and Autopan Function

240 Presets
Dynamic Window Blanking
RS-485/RS-422 Interface
8 Alarm Inputs / 4 Outputs
Programmable Alarm Action with Priority Levels
Supply Voltage: 18 to 30VAC, 50/60Hz

Specifications

Video standard	CCIR/PAL
System	day&night
Sensor size	1/4"
Imager	CCD, Sony Super HAD Interline Transfer CCD
Synchronization	Internal/AC line lock, phase adjustment via remote control
Signal-to-noise ratio	50dB
Sensitivity (at 50% video signal)	0,75Lux, at F1.2, 0.015Lux at 1sec. shutter speed
Horizontal resolution	480TVL
Speed (manual control)	90°/Sek.
Speed range at manual control (pan)	0.5° ~ 90°/sec., Turbo: 380°/sec. (Proportional to the zoom position)
Speed range at manual control (tilt)	0.5° ~ 90°/sec. (Proportional to the zoom position)
Preset speed	380°/Sek.
Rotation range	continuous: 360°
Tilt range	-4° ~ +90°
Preset positioning	240 presets with 16-character labels each. 0.75sec. max. preset recall time

(Specifications continued)

Backlash	0.2°
Patterns	4 patterns: 1x up to 240sec., or 3x up to 240sec. in total
Tours	Up to 8 User programmable guard tours with vector scan. Consisting of 42 presets and other functions with individual dwell time (3 to 99sec.). Selectable fast or slow vector scan
Autoscan	8 User programmable auto scans with selectable fast or slow vector scan, 9 selectable speeds
Proportional pan and tilt	Continually decreases pan and tilt speeds in proportion to depth of zoom
Auto flip function	Rotates dome 180° at bottom of tilt travel
Programmable park position	Included
Window blanking	8 areas
Zones	16 each with programmable text labels
In/outdoor use	Indoor/outdoor camera preferences
Digital signal processing (DSP)	DSP-3R
Automatic gain control (AGC)	Automatic (On/Off switchable)
Shutter speed (AES/MES)	Automatic/manual: 1 ~ 1/10,000sec.
Integration rate	no
Wide dynamic range	On/Off switchable
White balance	Modes: Manual, Automatic, Indoor, Outdoor, ATW
Backlight compensation	WDR
IR cut filter	yes, Motorized, switchable filter. Automatic function depend on the amount of light. In removed filter position, the colour signal, will be switched OFF
Video outputs (type)	CVBS, VBS
Video outputs	1Vp-p, (C)VBS, 75ohms, BNC
Lens mount	integrated lens
Lens type	zoom
Lens	F1.6 ~ F75/3.9 ~ 85.8mm (22x optical, 12x digital zoom)
Application range	security
Nominal format size	1/4"
Aspherical technology	yes
Focal length	3,9-85,8mm
Horizontal angle of view	52-2,4°
Focus control	Automatic with manual override
Iris control	DC, Manual override
Minimum object distance (MOD)	0.3m
Mount	n/a
Alarm inputs	8, selectable between NO and NC
Alarm processing	Programmable alarm action with selectable priority levels
Menu driven set-up	On/Off switchable
Menu languages	English, German, French, Spanish, Portuguese, Italian, Polish
Text display	16-character labels
Auxiliary outputs	4 relays with NO/NC contact, 24VDC/1A resistive

EDC-142E2

(Specifications continued)

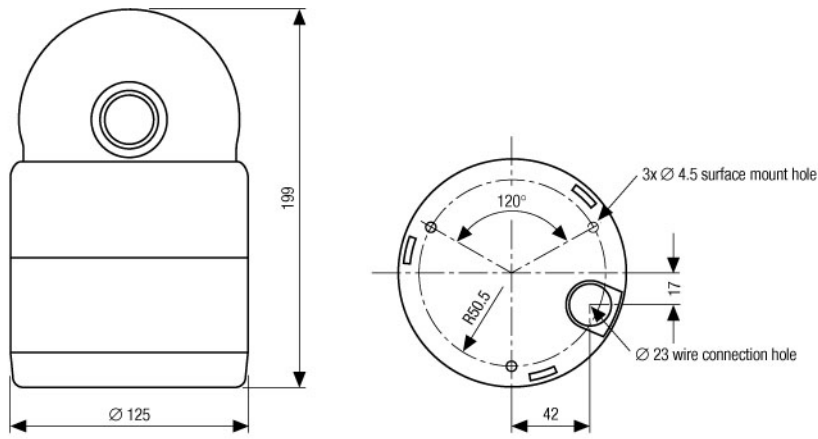
Operation protection	Available
Backup	Non-volatile back box memory stores all camera and site-specific dome settings
Addresses	Up to 999 Dome ID's
Keyboard control	Direct mode control with Eneo EDC-KBD(M) keyboard series, or in conjunction with the eneo DVR series DLR, DTR and DPR
Remote control	Camera remote settings via keyboard
Serial interfaces	RS-485, RS-422, 9600Baud, 999 camera ID addresses selectable. Besides the keyboard control via the eneo EDC-KBD(M) series, the control via matrix, switchers and keyboards from Pelco (D+P protocol), Ernitec, Philips G3, Sensormatic RS-422, (back channel via RS-422 is not, activated), Vicon and Dynacolor is available
Temperature range (Operation)	0 ~ +50°C
Heater	no
Protection rating	IP40
Supply voltage	24VAC, (18 ~ 30VAC), 50/60Hz
Power consumption	approx. 20watts
Vandalism-proof	no
Bubble	4.9" (125mm), clear acrylic plastic
Colour (bubble)	clear
Camera fixing	n/a
Mounting	surface mount, Housing assy
Housing	indoor housing, Black plastic for indoor drop-ceiling mount up to 0°C
Housing material	plastic
Colour (housing)	black
Dimensions (HxWxD)	See drawing
Weight	1.5kg

Accessories

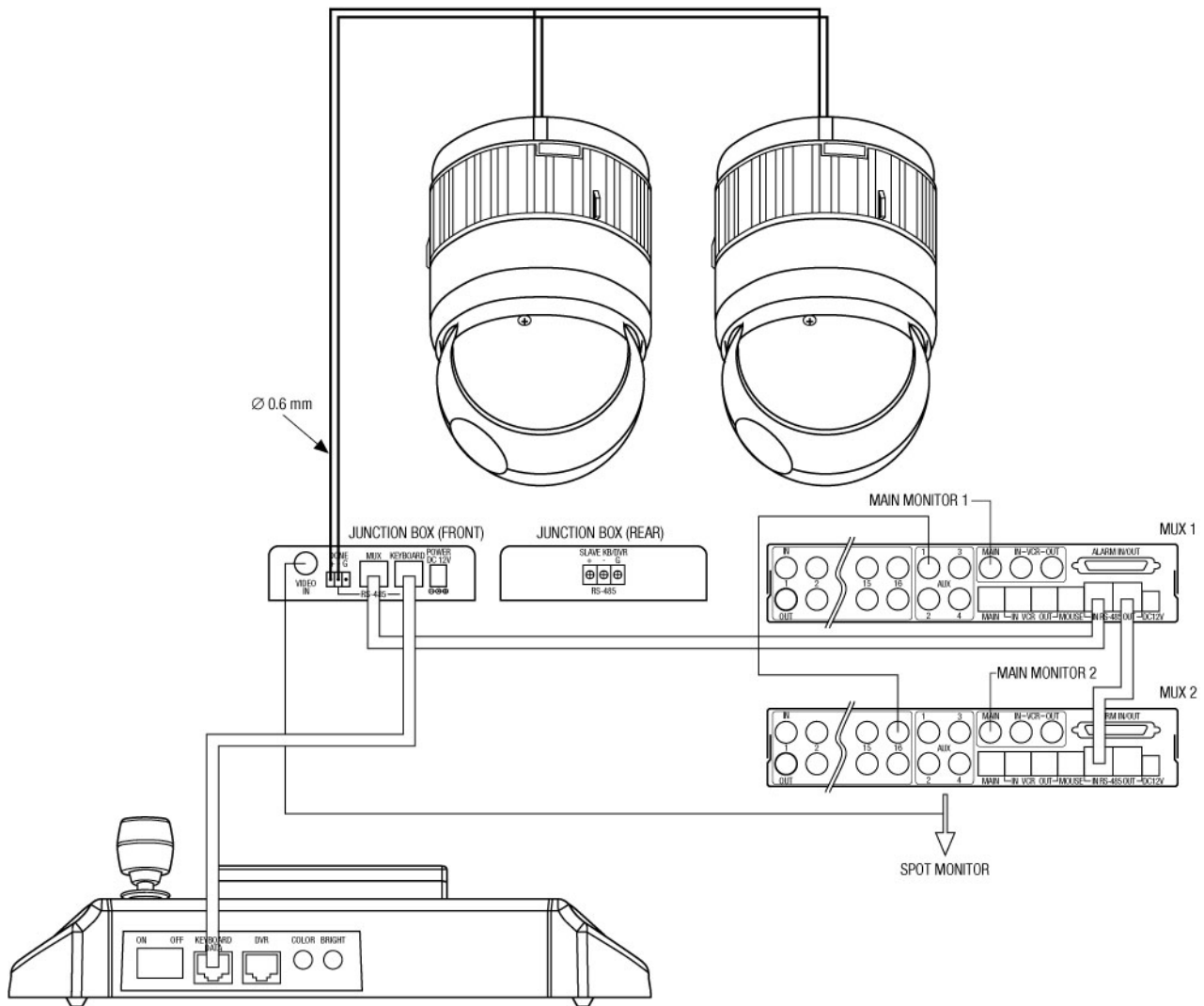
74057 / EDC-IDF	Flush Mount Dome Housing, Smoked Bubble 4.9"
74139 / EDC-IDFH	Flush Mount Dome Closed Housing, Clear Bubble, 6.8"
74078 / EDC-OPS-1/24V	Pendant Mount Outdoor Dome Housing Tinted Bubble 6.8", 24VAC
74077 / EDC-IPC-1/24V	Pendant Mount Indoor Dome Housing Clear Bubble 6.8", 24VAC
74075 / EDC-IPS-1/24V	Pendant Mount Indoor Dome Housing Tinted Bubble 6.8", 24VAC
74082 / EDC-IPC-1/230V	Pendant Mount Indoor Dome Housing Clear Bubble 6.8", 230VAC
74083 / EDC-IPS-1/230V	Pendant Mount Indoor Dome Housing Tinted Bubble 6.8", 230VAC
74084 / EDC-OPC-1/230V	Pendant Mount Outdoor Dome Housing Clear Bubble 6.8", 230VAC

(Accessories continued)

74085 / EDC-OPS-1/230V	Pendant Mount Outdoor Dome Housing Tinted Bubble 6.8", 230VAC
74088 / EDC-KBD1	System Keyboard with 3-axis Joystick, 12VDC/230VAC
74092 / EDC-KBDM-3	System Keyboard w. Joystick, 5" Monitor 12VDC/230VAC, Fastrax Protocol
74089 / EDC-CR1	Converter RS-232/RS-485, Repeater RS-485
74095 / EDC-PBP	Protocol Converter BiPhase to RS-422, RS-485 for EDC Dome Cameras, 12VDC
74094 / EDC-COAX	Coax Telemetry Board for VPT-41/42, EDC/EDMC Series. assembled
70527 / NE-132/AC24V	Power Supply Unit 230VAC/24VAC (1.0A)
70449 / NE-128	Voltage supply unit 230V/24VAC-5A, IP66
70457 / AK-3	Camera Connection box, 230VAC Input 24VAC-100W, 12VDC-1A Output
74124 / FASTRAX_CONFIG	Configuration Software for Eneo Fastrax, Minitrax Dome Cameras and VKC-1416



Maße/Dimensions: mm



SLD Security & Communications
 The Old Forge, Ockham Lane, Ockham, Surrey GU236PH England
 Phone +44.1483225633 · Fax +44.1483225634
 sales@sld.co.uk · www.sld.co.uk

