

Video Security



EDC-143E

1/4" Colour/B&W High Speed Dome Camera with 23x Zoom Lens, 24VAC, 470TVL

Art-Nr. 74091



Features

Colour/B&W Dome Camera (Progressive Scan CCD)
 23x Optical and 10x Digital Zoom (216 Total)
 Zoom Lens: F1.6/3.6-82.8mm
 Removable IR Cut Filter
 Pattern, Tour and Autopan Function
 240 Presets

Dynamic Window Blanking
 RS-485/RS-422 Interface
 8 Alarm Inputs/4 Outputs
 Programmable Alarm Action with Priority Levels
 Quick Detachable (Hot Swap)
 Supply Voltage: 18 to 30VAC, 50/60Hz

Specifications

Speed range at manual control (tilt)	0.1° to 90°/sec. (Proportional to the zoom position)
Speed range at manual control (pan)	0.1° to 90°/sec., Turbo: 360°/sec. (Proportional to the zoom position)
Preset speed	Up to 380°/sec. pan
Vertical turning range	-10° to +90°
Rotation range	360° (endless)
Preset positioning	240 presets with 16-character labels each. 0.75sec. max. preset recall time
Backlash	0.2°
Patterns	4 patterns: 1x up to 240sec., or 3x up to 240sec. in total
Tours	Up to 8 User programmable guard tours with vector scan. Consisting of 42 presets and other functions with individual dwell time (3 to 99sec.). Selectable fast or slow vector scan
Autoscan	8 User programmable auto scans with selectable fast or slow vector scan, 9 selectable speeds
Auto flip function	Rotates dome 180° at bottom of tilt travel
Programmable park position	Included

(Specifications continued)

Window blanking	8 dynamic window blanking zones with user-defined four-sided shapes and up to 16-character labels each
Zones	16 each with programmable text labels
In/outdoor use	Indoor/outdoor camera preferences
IR cut filter	Automatic operation, ON/OFF switchable
Imager	1/4" 758 (H) x 592 (V) pixels (Progressive Scan)
Digital signal processing (DSP)	Yes (DSP-3R)
Resolution	470 TV lines
Sensitivity	3.0Lux at F1.6 (1.7Lux at F1.2); 0.2Lux at 1/3sec. shutter speed; 0.02Lux at 1/3sec. shutter speed and IR cut filter removed
Signal-to-noise ratio	50db
Automatic gain control (AGC)	Automatic (ON/OFF switchable)
Shutter speed (AES/MES)	Automatic/manual: 1/1.5 to 1/30,000 sec.
Shutter modes	High and Low Speed shutter
Synchronization	Internal/AC line lock, phase adjustment via remote control
White balance	Modes: Manual, Automatic, Indoor, Outdoor, ATW
Video output	1Vp-p, CVBS, 75ohms, BNC
Zoom range	F1.6/3.6~82.8mm (23 optical, 10x digital zoom)
Horizontal angle of view	54° (Wide); 2.5° (Tele end)
Iris control	Automatic (with manual override)
Autofocus	Automatic with manual override
Minimum object distance (MOD)	0.3m
Menu driven set-up	ON/OFF switchable
Text display	16-character labels
Menu languages	English
Alarm processing	Programmable alarm action with selectable priority levels
Alarm inputs	8, selectable between NO and NC
Bubble	4.9" (125mm), clear acrylic plastic
Control interfaces	RS-422/RS-485, 9600Baud, 999 camera ID addresses selectable. Besides the keyboard control via the eneo EDC-KBD(M) series, the control via matrix switchers and keyboards from Pelco (D+P protocol), Ernitec, Philips and Sensormatic* is available. *Back channel via RS-422 is not activated
Keyboard control	Direct mode control with Eneo EDC-KBD(M) keyboard series, or in conjunction with the eneo Triplex Multiplexer series VBMT/VCMT-8000 and DVR series DLR(2) and DXR
Auxiliary outputs	4 relays with NO/NC contact, 24VDC/1A resistive
Remote control	Camera remote settings via keyboard
Operation protection	Available
Backup	Non-volatile back box memory stores all camera and site-specific dome settings
Supply voltage	18 to 30VAC (24VAC nominal), 50/60Hz
Power consumption	Approx. 20watts
Temperature range	0°C to +50°C

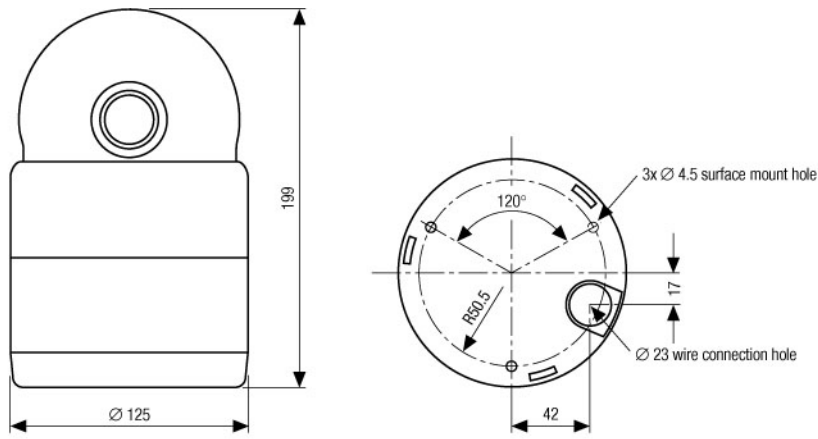
EDC-143E

(Specifications continued)

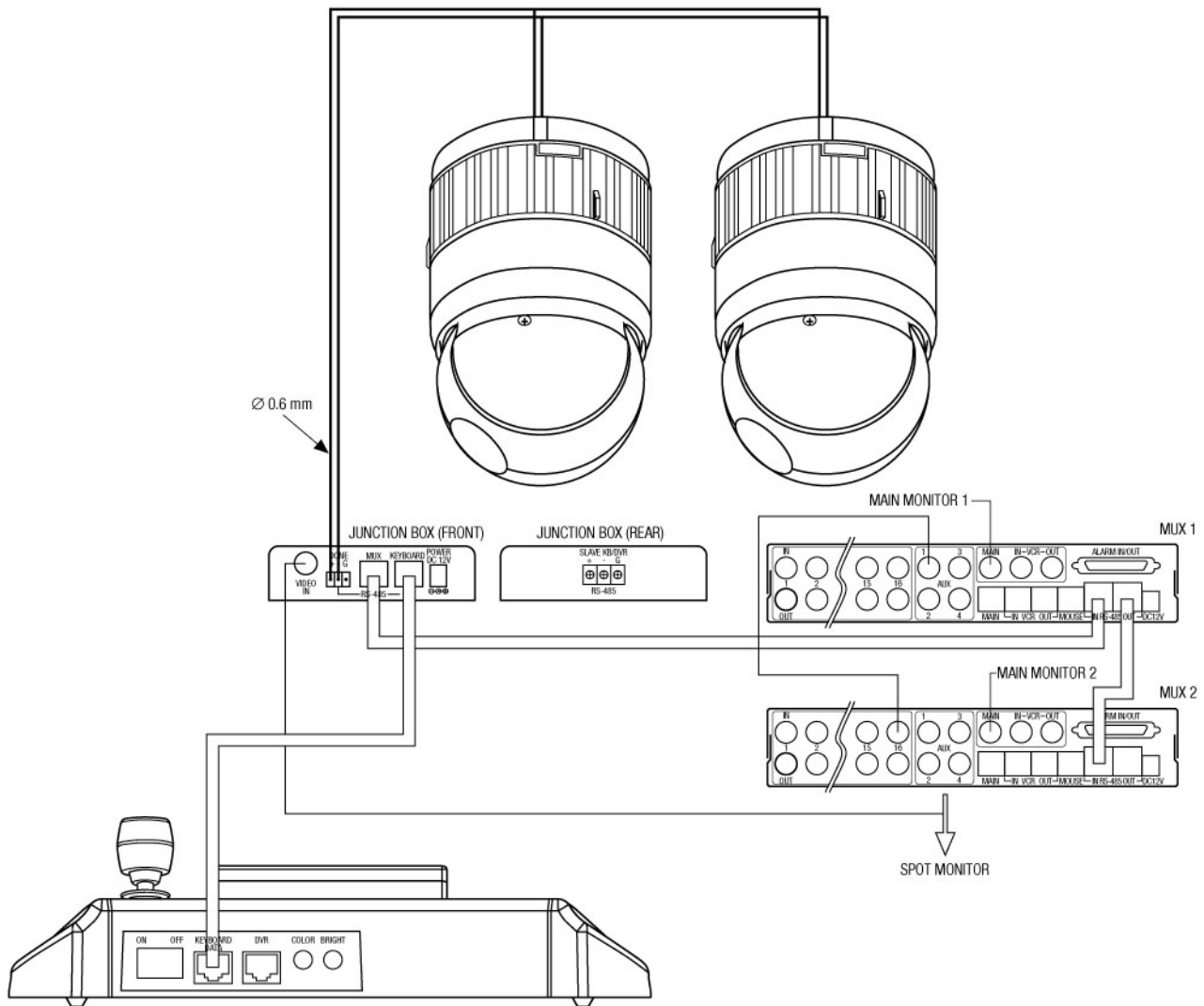
Protection rating	IP40
Housing	Black plastic for indoor drop-ceiling mount
Dimensions (HxWxD)	See drawing
Weight	Approx. 1.3kg

Accessories

70444 / NE-122	Voltage supply unit 230V/24VAC-5A, IP66
70445 / NE-123	Voltage supply unit 230V/24VAC-2A, IP66
74079 / EDC-KBDM-1	System Keyboard w. Joystick, 4" Monitor
74080 / EDC-KBDM-2	System Keyboard f. DLR-204/109/116Series
74088 / EDC-KBD1	System Keyboard with 3-axis Joystick,
75201 / MTC-1	Matrix, Multiplexer and Telemetry
74057 / EDC-IDF	Flush Mount Dome Housing, Smoked Bubble
74078 / EDC-OPS-1/24V	Pendant Mount Outdoor Dome Housing
74077 / EDC-IPC-1/24V	Pendant Mount Indoor Dome Housing
74076 / EDC-OPC-1/24V	Pendant Mount Outdoor Dome Housing
74075 / EDC-IPS-1/24V	Pendant Mount Indoor Dome Housing
74082 / EDC-IPC-1/230V	Pendant Mount Indoor Dome Housing
74083 / EDC-IPS-1/230V	Pendant Mount Indoor Dome Housing
74084 / EDC-OPC-1/230V	Pendant Mount Outdoor Dome Housing
74085 / EDC-OPS-1/230V	Pendant Mount Outdoor Dome Housing
74089 / EDC-CR1	Converter RS-232/RS-485,



Maße/Dimensions: mm



SLD Security & Communications
 The Old Forge, Ockham Lane, Ockham, Surrey GU236PH England
 Phone +44.1483225633 · Fax +44.1483225634
 sales@sld.co.uk · www.sld.co.uk

