

Video Security



EDC-OPS-1/24V

Pendant Mount Outdoor Dome Housing
Tinted Bubble 6.8", 24VAC

Art-Nr. 74078



Features

Outdoor Housing for Fastrax Dome Cameras
For Wall and Ceiling Mount
Sunshield, Heater and Blower Kit Included

Tinted Bubble 6.8" (172mm)
Protection Rating: IP65
Supply Voltage: 24VAC/50-60Hz

Specifications

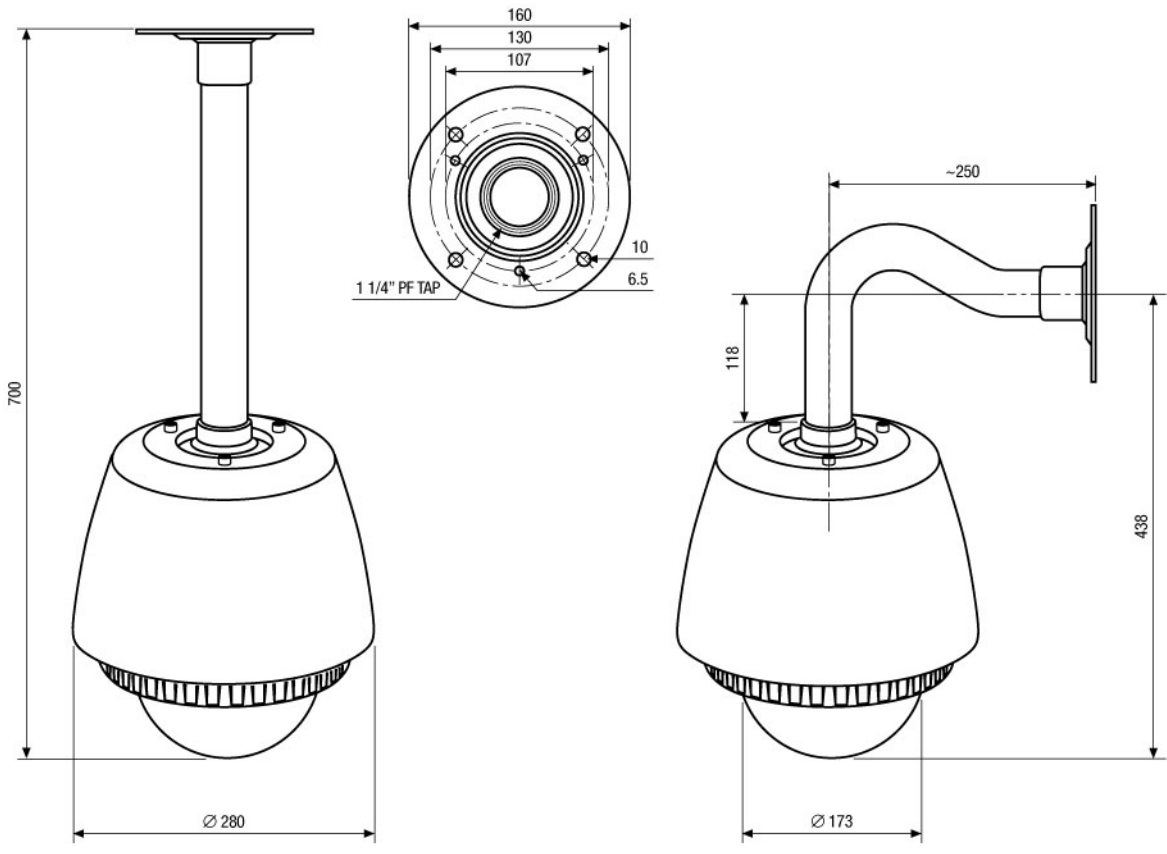
Bubble	172mm (6.8"), tinted acrylic plastic (0.5 f-stop light loss)
Load capacity	Approx. 2.0kg
Connection	1 1/4" PT thread
Supply voltage	24VAC, 50/60Hz
Power consumption	Approx. 56watts for heater and blower and incl. dome camera
Power consumption (heater)	Approx. 30watts
Temperature range (Operation)	-45°C to +50°C
Protection rating	IP65
Housing	Aluminium, Pipes: Steel, Trimming: Plastic
Colour	Light-grey polyester powder coat
Weight	Approx. 4.3kg

Accessories

70444 / NE-122	Voltage supply unit 230V/24VAC-5A, IP66
74074 / EDC-RTB	Roof Mount Bracket for Fastrax Outdoor
74090 / EDC-PRMB	Parapet and Roof Mount Bracket for
74054 / EDC-CMA2	Corner Mount Adapter for EDC-IPS/OPC
74055 / EDC-PM7	Pole Mount Adapter for EDC-IPS/OPC

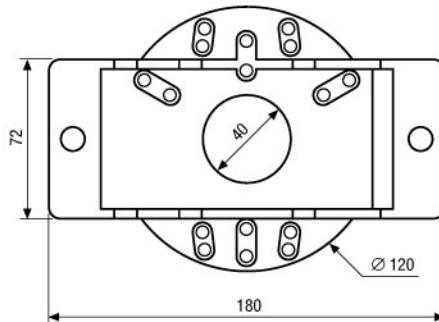
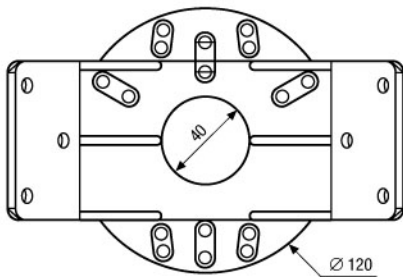
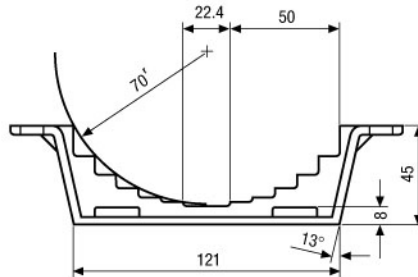
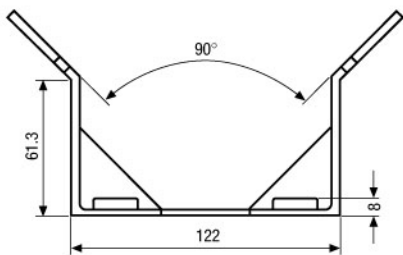
Accessories of

74081 / EDC-142E	1/4" Colour High Speed Economy Dome
74086 / EDC-141E	1/4" Colour/B&W High Speed Dome Camera
74091 / EDC-143E	1/4" Colour/B&W High Speed Dome Camera



Eckmontagewinkel / Corner Mount Adapter

Mastmontageadapter / Pole Mount Adapter



Maße/Dimensions: mm

SLD Security & Communications
 The Old Forge, Ockham Lane, Ockham, Surrey GU236PH England
 Phone +44.1483225633 · Fax +44.1483225634
 sales@sld.co.uk · www.sld.co.uk

