

LED Infra-Red

Twilight Switch with ON/OFF Delay
adjustable Switching Points, 230VAC

EDP-No.: 73433

DS-3

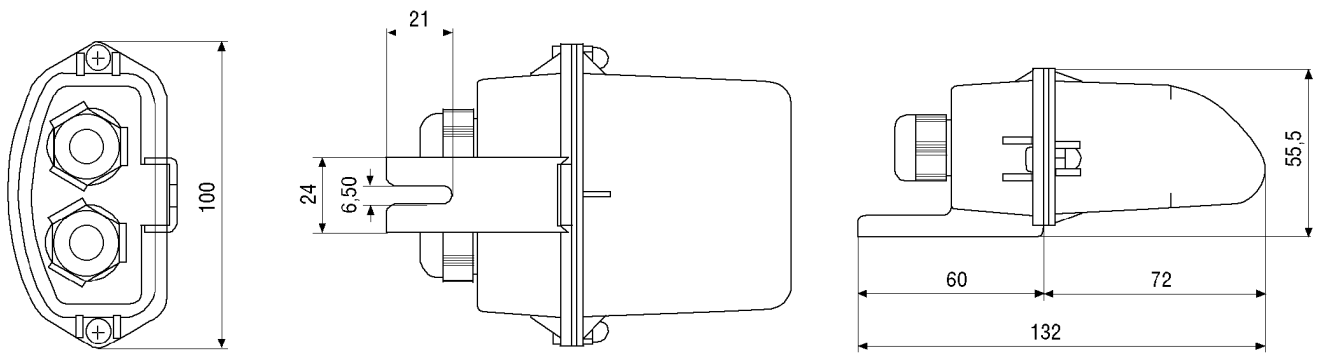
- For Automatic Illuminator ON/OFF Switching
- Photocell Controlled
- Switching Range: 2 to 200 Lux (adjustable)
- ON/OFF Switching Delay
- For Wall Mounting
- Switching Power: 1200 W at 230 VAC
- Protection Rating: IP 66
- Easy Installation



Specifications:

In/output voltage	230 VAC/50 Hz
Mains in/outputs	1 each
ON/OFF switching range	2 to 200 Lux
Switch-on delay	7 sec.
Switch-off delay	420 sec.
Switching power	5 A (1200W)
Internal adjustments	Potentiometer for ON/OFF switching range
Housing	Grey plastic with clear cover
Temperature range	-20° to +50°C
Dimensions (HxWxD)	See drawing
Weight	220 g

Article is accessory to	
EDP No. / Type	Description
73826 WFL-II/LED-15W	LED-Infrared Illuminator 950nm, Wide Flood, 15W, 12VDC



Maße/Dimensions: mm

Montagearten:
Recommended installations:

