

# Mounts for Cameras

Wall Mount with Ball Joint,  
1/4" Camera Fixing Screw

EDP-No.: 70023

## WD-9N

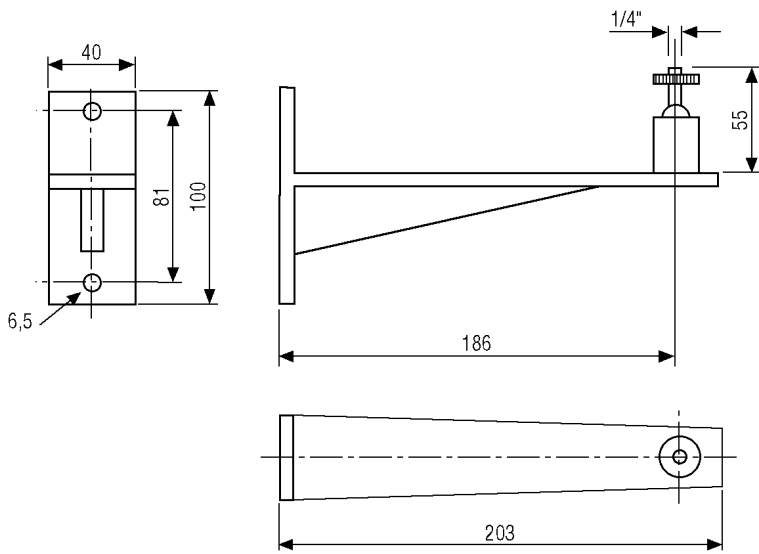
- For Wall Mounting
- Rugged Aluminium Construction
- Adjustable Ball Head
- Ready for Installation



### Specifications:

Mounting distance from fixing point	203 mm
Load capacity	1.5 kg
Camera mount	1/4" - 20 UNC thread
Material	Aluminium
Colour	Black
Weight	260 g

Article is accessory to	
EDP No. / Type	Description
73826 WFL-II/LED-15W	LED-Infrared Illuminator 950nm, Wide Flood, 15W, 12VDC



Maße/Dimensions: mm