

CG-831PA1V

Home | Security | Cameras | Boxed

CG-831PA1V

1/3" Colour Camera, DSP, AGC, APC, BLC, ESC, AWB,

540TVL, 12VDC/24VAC

Art-Nr. 92511



Lens not included

Main Features

Resolution of 540 Horizontal Lines	Horizontal and Vertical Aperture Correction (APC)
Automatic Gain Control (AGC)	Integrated Eclipse and Flickerless Function
High Sensitivity of 0.4Lux (at F1.2)	Automatic White Balance with Hold Function (AWB)
Back Light Compensation (BLC)	Auto Blemish Compensation (up to 32 Pixels)
Electronic Shutter Control (ESC)	Adjustable Video Transmission Distance
Automatic AI/DC Control Selection (Depend on Lens)	Supply Voltage: 12VDC/24VAC

Specifications

System	colour
Video standard	CCIR/PAL
Sensor size	1/3"
Imager	CCD, Sony Super HAD Interline Transfer
Active picture elements	440,000, (H) 752 x (V) 582
Horizontal resolution	540 TVL
Synchronization	Internal/AC line lock
Signal-to-noise ratio	48dB (AGC OFF)
Gamma correction	0.6/1.0
Sensitivity (at 50% video signal)	0,4 Lux, at F1.2 (measured)
Low speed shutter	no
Digital Noise Reduction (DNR)	no
Backlight compensation	BLC, eclipser, ON/OFF switchable

CG-831PA1V

(Continuation Specifications)

Wide Dynamic Range (WDR)	no
White balance	automatic/manually
Blemish compensation	Automatic blemish detection and compensation (for up to 32 pixels)
Aperture Correction (APC)	horizontal and vertical
Flickerless function	120sec., ON/OFF switchable
IR cut filter	standard
OSD function control	OSD camera setup: Pixel correction, Eclipser, BLC, AWB, Chroma, ESC, AGC, Flickerless, Aperture, Masking (Window blanking), Transmission distance compensation
Digital zoom	no
Lens mount	CS mount
Iris control	Manual iris, Auto-Iris/DC controlled
Auto exposure	Automatic/Manual/flimmerfree/AGC
External adjustments	Flange focus Switch for setup menu
Video outputs	composite (CVBS), 1Vp-p, CVBS, 75ohms, BNC
External connections	DC Iris control (4 pin), Video (BNC), Power input
Serial interfaces	no
Camera mount	1/4" - 20 UNC thread on top and bottom
Supply voltage	12VDC, 24VAC, (+/-15%) 50Hz
Power consumption	approx. 4.8watts (at 12VDC)
Temperature range (operation)	-10°C ~+50°C
Dimensions (HxWxD)	see drawing
Weight	200g
Parts supplied	4 pin Lens plug, Allen wrench key, Control adapter cable with open ends, Quick start guide and manual on CD
Certificates	CE

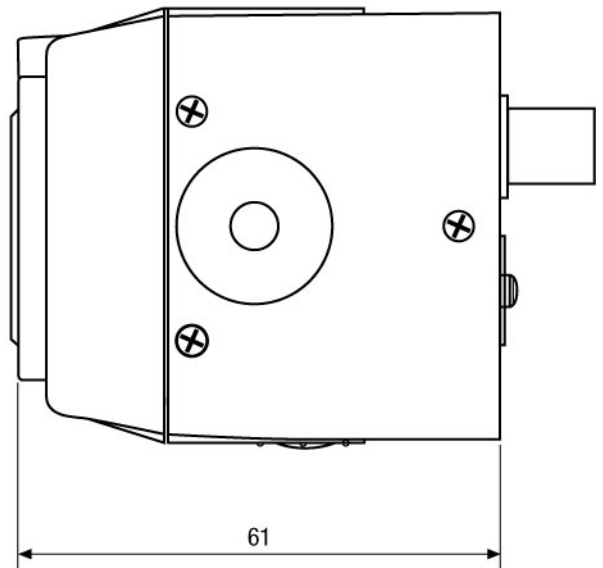
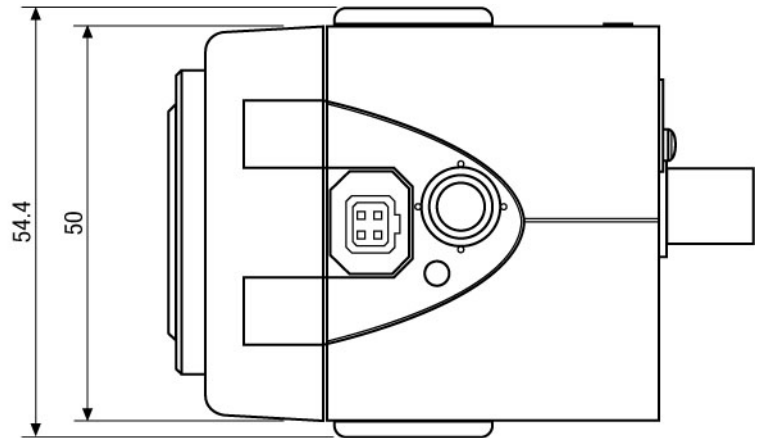
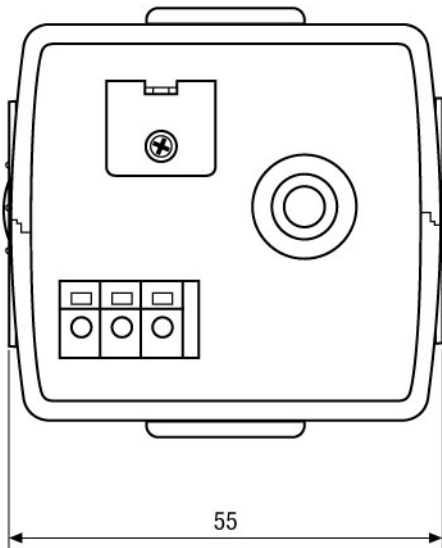
Optional accessories

70769	WD-22	Wall Mount Bracket with Ball Joint, 1/4" Camera Fixing Screw, Beige Grey
70495	VT-PS12DC-7	Plugable PSU w. Cont. & UK Mains plug-in 100-240VAC/12VDC-1.25A, Regulated
77773	VT-PS12DCDT1	PSU 12VDC/1.0A, Regulated, Desktop Version, 1.8m Cables each w. open ends
70536	VT-PS12DC-9	Plug-in Power Supply Unit 100-240VAC 12VDC (1.0Amp), Regulated, w. open Ends
43106	C/CS RING-AL	Adapter Ring, C/CS Mount, Aluminium anodized
70771	WD-23	Wall Mount Bracket with Ball Joint, 1/4" Camera Fixing Screw, Pantone 877

CG-831PA1V

Home | Security | Cameras | Boxed

Technical drawing



Maße/Dimensions: mm

SLD Security & Communications
The Old Forge, Ockham Lane, Ockham, Surrey GU236PH England
Phone +44.1483225633 · Fax +44.1483225634
sales@sld.co.uk · www.sld.co.uk

