

# G04Z03NDDC-NFS

Home | Security | Lenses | Varifocal

G04Z03NDDC-NFS  
F1.2/4.5-12.5mm DC Lens/variable Focal Length,

No Focus Shift, 1/2" CS Mount

**Art-Nr. 43251**



## Main Features

Suitable for 1/2" and 1/3" colour and b&w cameras  
No-focus-shift from visible to near IR light range  
Variable focal length  
Aspherical lens elements  
CS mount

High standard of optical and mechanical quality  
Without built-in auto iris amplifier  
With 4 pin connector  
Adjustable slip-ring mount for cable positioning

## Specifications

Lens type	varifocal
Application range	day/night
Day/Night	yes
Megapixel	no
Aspherical technology	yes
Nominal format size	1/2"
Flange focal length	12.5mm
Mount	CS
Slip-ring mount	340° ~360° Variable adjustment range
Focal length	4,5 mm - 12,5 mm
Horizontal angle of view	83,7° - 30,1°
MOD (Minimum object distance)	0,3 m
Aperture range (F)	F1.2~F260
Iris control	DC

# G04Z03NDDC-NFS

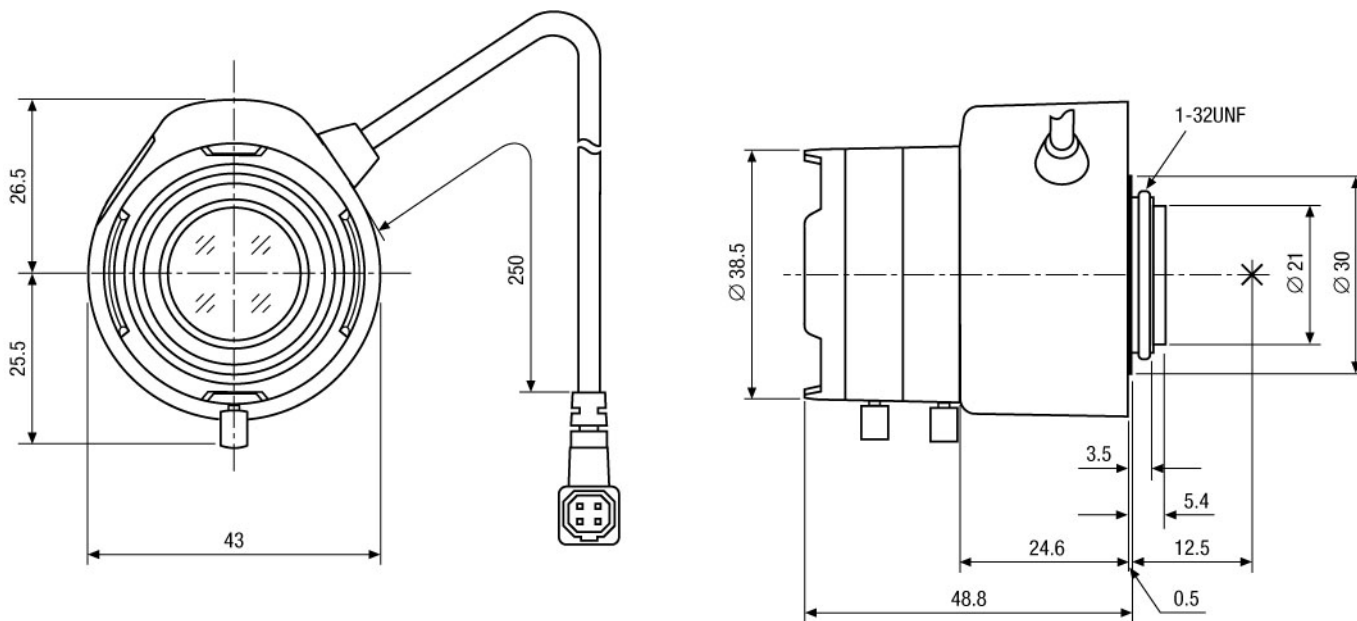
(Continuation Specifications)

<b>Focus constant range</b>	+0.04mm at f4.5; +0.05mm at f8; +0.035mm at f12.5mm (Focus deviation at switch-over to IR light at 850nm)
<b>Screw-in depth</b>	5.4mm
<b>Filter screw size</b>	not available
<b>Cable length</b>	approx. 25cm
<b>4-pin plug</b>	Standard
<b>Temperature range (operation)</b>	-20°C ~+50°C
<b>Length</b>	48,8 mm
<b>Diameter</b>	43 mm
<b>Radius</b>	26,5 mm
<b>Weight</b>	68g

# G04Z03NDDC-NFS

Home | Security | Lenses | Varifocal

## Technical drawing



Maße/Dimensions: mm

SLD Security & Communications  
The Old Forge, Ockham Lane, Ockham, Surrey GU236PH England  
Phone +44.1483225633 · Fax +44.1483225634  
sales@sld.co.uk · www.sld.co.uk

