

DC Controlled Lenses

F1,2/6,5-78mm DC Motor Zoom Lens
with Potentiometer, C/CS Mount

EDP-No.: 47418

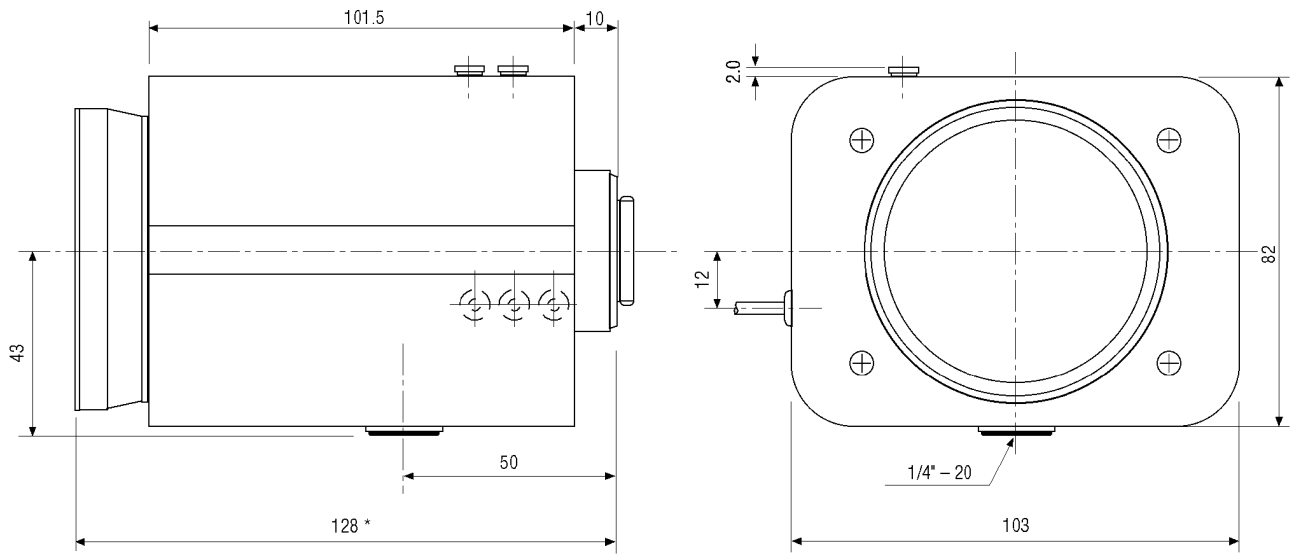
G06Z12NDDCPO

- Suitable for 1/2" and 1/3" Colour and B&W Cameras
- C/CS Mount
- DC Controlled Iris
- High Standard of Optical and Mechanical Quality
- Quality Motors on Focus and Zoom
- Potentiometers on Focus and Zoom
- Adjustable Slip-ring Mount for Cable Positioning



Specifications:

Focal length (f)	6.5-78 mm
Aperture range (F)	F1.2-F360
Lens mount	C/CS
Nominal format size	1/2"
Flange focal length	17.526 mm
Horizontal angle of view at nominal format size	51.5°-4.8°
Minimum object distance (M.O.D.)	1.3 m
Screw-in depth	6.5 mm (CS)
Filter screw size	M67x0.75 mm
Cable length	>50 cm
Slip-ring mount	340°-360° Variable adjustment range
Iris control system	Galvanometer
Connection	Cable length: 20 cm, with 4-pin DC plug
Nominal voltage	8.0 VDC +/-20 %
Max. current consumption/motor (run)	25 mA
Response time	Approx. 6 sec. (at 8 V)
Motor clutch on focus/zoom	Yes
Potentiometer on focus and zoom	Available
Temperature range	-10°C to +50°C
Dimensions (HxWxD)	See drawing
Weight	1.0 kg



* Gemessen in Stellung/Length at: ∞

Maße/Dimensions: mm