

JVC®

The Perfect Experience

SLD Security & Communications

1/2" CCD COLOUR VIDEO CAMERA

TK-C9510E (24VAC/12VDC)

TK-C9511EG (220-240VAC)

14-bit
processing

SuperLoLux™

COLOUR IN VIRTUAL ZERO LUX

1/2" for Professional
600 TV Lines
True Day/Night



Lens not included



High-Resolution of 600 TV Lines

Newly developed 14bit DSP enables industry-leading high quality pictures

Super LoLux™ Sensitivity

0.05 lx at colour mode (50% video level, F1.2, AGC HIGH)
0.006 lx at B&W mode (50% video level, F1.2, AGC HIGH)

Industry-leading S/N Ratio of 52dB

ExDR Plus – Advanced Wide Dynamic Range

JVC-original technology to reproduce clearer images for both bright and dark areas

Programmable Scene Memory

Eight preset scene modes selectable according to your environment

Anti Fog Mode

Where normal viewing is affected by either fog or other extreme conditions, such as a sand storm, Anti Fog mode increases edge definition for a clearer picture.

3D Noise Reduction

Powerful system to reduce noise in dark environments

H.L.I. – High Light Inverter

Reduces any areas of extreme white light, such as car headlights, in order that surrounding images are easier to view

Up to 128x of Slow Shutter

Increases visibility even in low light situations

RS-485 Terminal for Remote Control

Supports JVC protocol, Pelco-D, and Pelco-P for remote communication

Easy Installation with Well-Conceived Menu

Combination of DIP switch and built-in Menu makes detailed settings simple and easy

An Array of Features to Suit Any Environment

- Automatic Gain Control (AGC)
- 6 Area Patterns for Backlight Compensation (BLC)
- Manual and Auto Tracking White Balance / Area White Balance
- Digital Zoom
- Privacy Mask for protecting against intrusive monitoring
- Black Level Adjustment
- Display Mode Selection for CRT and LCD
- AUX Terminal for alarm input
- CCD Spot Correction
- Focus Adjustment Mode for accurate focusing
- 24VAC/12VDC Dual Voltage (TK-C9510E) or 220V-240VAC (TK-C9511EG) selectable

Eco-Friendly Super Low Power Consumption

Approx. 20% lower than conventional models



● Super LoLux™ "COLOUR IN VIRTUAL ZERO LUX"

This camera has been designed to ensure precise colour reproduction in low light situations. Colours are still clearly visible, even under extremely low light conditions.



Normal camera



JVC Super LoLux™

● ExDR Plus

ExDR (Extended Dynamic Range) Plus function is able to clearly display people and characters in the foreground even when they're up against an extremely brightly lit background. And to make the dark parts of the image more clearly visible, it combines Dual Shutter with AGC function to achieve optimal image quality throughout the entire picture. Remote control is possible with multi-protocol support of not only JVC protocol but Pelco-D and Pelco-P.



Normal image



ExDR Plus

● Programmable Scene Memory

Eight different preset scene modes are available to support typical situations. Modes are General, Traffic, Day, Night, Low Noise, Wide-D, BLC, and Anti Fog, and each of them is fully programmable to precisely meet the usage environment. Switching between modes is possible via RS-485 or alarm input.



● 3D Noise Reduction (3DNR)

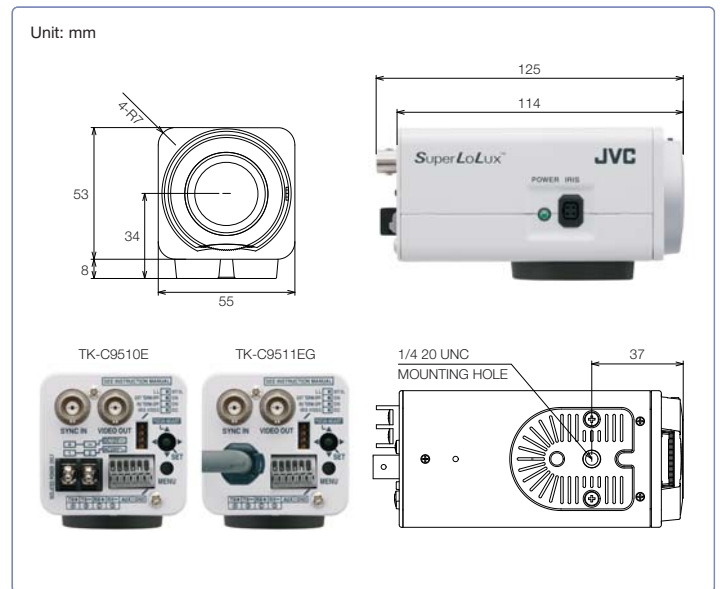
3DNR is the powerful method to improve image quality even though it's shot in the dark. Noise data is detected by comparing some continuous frames and reduced by blending it into other frames over time.

Specifications

TK-C9510E / TK-C9511EG	
Camera	
Signal system	PAL
Image device	1/2 type IT CCD
Number of effective pixels	440,000 (752H x 582V)
Sync system	Internal / Line lock / Vsync lock
Scanning system	2:1 interlace, 625 lines
Scanning frequency	15.625kHz (H), 50Hz (V)
Video output	Composite video signal; 1.0V (p-p), 75 ohms (BNC)
Video S/N ratio	52 dB (AGC off)
Horizontal resolution	600 TV lines *
Minimum illumination (typical)	0.05 lx (50%, F1.2, AGC HIGH) 0.025 lx (25%, F1.2, AGC HIGH)
B&W mode	0.006 lx (50%, F1.2, AGC HIGH) 0.003 lx (25%, F1.2, AGC HIGH)
Iris control	DC iris / Video iris
White balance	ATW (wide/narrow) / AWC / Manual (ATW colour temp. range 2300K to 10,000K)
Day/Night	True D/N with IR cutoff filter
Wide dynamic range function	ExDR Plus (by dual shutter)
3DNR	LOW / NORMAL / HIGH
BLC	6 patterns [AREA1 to 4, EDIT1, EDIT2]
AGC	OFF / MID / HIGH / Manual
AES	on / off (1/50s to 1/100,000s)
Sens-up	off / x2 to x128
Digital zoom	VARIABLE, WIDE (x1), MID (x1.4), TELE (x2)
Scene memory	8 patterns [GENERAL / TRAFFIC / DAY / NIGHT / Low Noise / WIDE-D / BLC / Anti Fog]
H.L.I. (High Light Inverter)	Yes [LOW / NORMAL / HIGH]
Motion detect	on [11 levels] / off
Privacy mask	4 areas
Focus adjustment mode	Yes
Communication	JCCP, Pelco-D, Pelco-P
Other settings	Camera title, Brightness, Colour level, Black level, Auto black, Enhance level, Anti fog, Reverse mode, CCD spot correction
General	
Lens mount	CS
AUX (Alarm terminal)	1
Control terminal	RS-485
Power supply	TK-C9510E: 24VAC (50Hz/60Hz) / 12VDC TK-C9511EG: 220-240VAC (50Hz/60Hz)
Length of power cable	1900mm (TK-C9511EG)
Power consumption	TK-C9510E : 390 mA TK-C9511EG : 60 mA
Operating temperature range	-10°C to 50°C (0°C to 40°C recommended)
Dimensions (WxHxD)	55mm x 61mm x 126mm
Weight (approx.)	TK-C9510E: 310g TK-C9511EG: 490g

* Tamron M12VM412 at wide angle

Dimensions



Note: Screen images are explanatory purpose and not actual images attained using this product. All brand or product names may be trademarks and/or registered trademarks of their respective owners. Copyright © 2011, Victor Company of Japan, Limited. All Rights Reserved.

DISTRIBUTED BY

SLD Security & Communications
The Old Forge, Ockham Lane, Ockham, Surrey GU236PH England
Phone +44.1483225633 · Fax +44.1483225634
sales@sld.co.uk · www.sld.co.uk

Design and specifications subject to change without notice.



■ Hachioji Business Centre of Victor Company of Japan, Ltd. has received ISO14001 Certification for environmental management and ISO9001 Certification for quality assurance management.