

# Video Security



**VK-1316S/12V**  
1/3" B/W Camera,  
12VDC, 570TVL  
**Art-Nr. 91931**



Lens is not included with the camera

## Features

**Resolution of 570 Horizontal Lines**  
**High Sensitivity**  
**Automatic Gain Control (AGC)**  
**Automatic Shutter Control (AES)**  
**Aperture Control (APC)**

**Backlight Compensation (BLC)**  
**Internal Synchronization**  
**Auto Iris and DC Iris Control**  
**C/CS Mount**  
**Supply Voltage: 12VDC**

## Specifications

<b>Imager</b>	1/3" Sony Super HAD Interline Transfer CCD
<b>System</b>	CCIR
<b>Synchronization</b>	Internal
<b>Sensitivity at 50% video signal</b>	0.18Lux at F1.2 (VT measurement result)
<b>Horizontal resolution</b>	570 TV lines
<b>Active picture elements</b>	Approx. 440,000 (H) 752 x (V) 582
<b>Signal-to-noise ratio</b>	46db (AGC OFF)
<b>Automatic shutter control (AES)</b>	1/50 to 100,000sec. (ON/OFF switchable)
<b>Gamma correction</b>	0.45
<b>Automatic gain control (AGC)</b>	ON/OFF switchable
<b>Aperture Correction (APC)</b>	Horizontal and vertical
<b>Video output</b>	1Vp-p, VBS, 75ohms
<b>Backlight compensation (BLC)</b>	Provided
<b>Camera mount</b>	1/4" - 20 UNC thread on top and bottom
<b>Lens mount</b>	C/CS (with adapter)
<b>Auto-Iris voltage supply</b>	9VDC (40mA max.)
<b>External adjustments</b>	Shutter ON/OFF, AGC ON/OFF, AI/DC iris control, Flange focus Level for DC controlled lenses

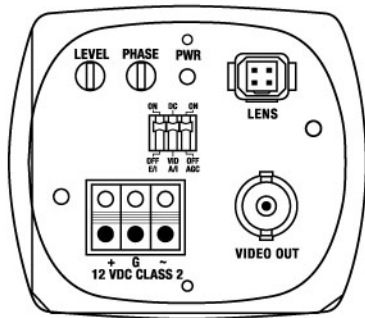
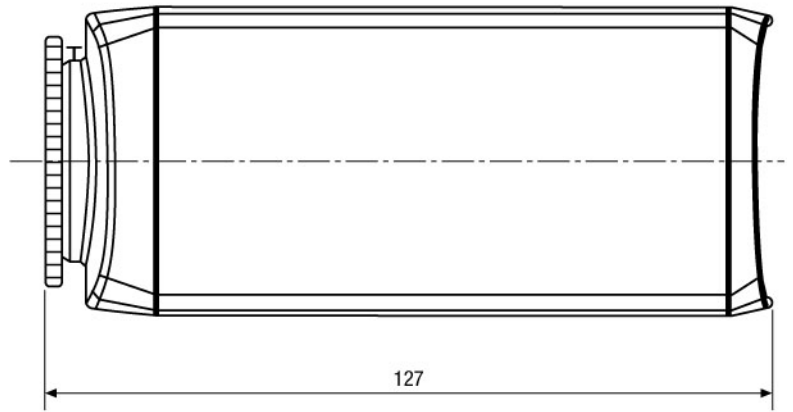
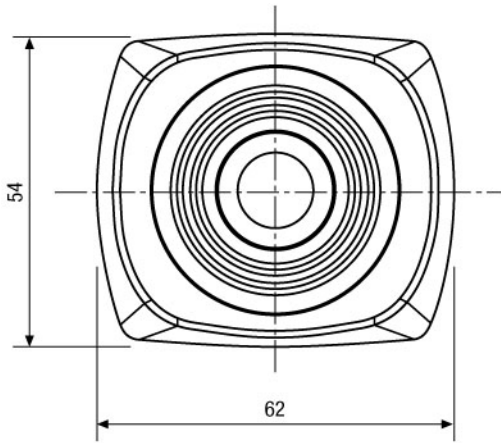
## VK-1316S/12V

(Specifications continued)

<b>External connections</b>	Video (BNC), Auto-Iris/DC iris (4-pin), Power input (3-pin)
<b>Usable iris controls</b>	Manual iris, Auto-Iris/DC-Iris control
<b>Supply voltage</b>	12VDC ( $\pm 20\%$ )
<b>Power consumption</b>	4watts
<b>Temperature range</b>	-10°C to +50°C
<b>Dimensions (HxWxD)</b>	See drawing
<b>Colour</b>	Body: Pantone 877, Front and back: Pantone 8400C
<b>Weight</b>	225g

## Accessories

<b>70448 / VT-PS12DC-6</b>	Plug-in Power Supply 100-240VAC/12VDC
<b>79333 / NE-104S</b>	Power Supply 230VAC/12VDC(400mA) for
<b>79334 / NE-105S</b>	Power Supply 230VAC/12VDC (600mA) for
<b>79364 / NE-112</b>	Power Supply 230VAC/12VDC (600mA)
<b>70771 / WD-23</b>	Wall Mount with Ball Joint,
<b>70769 / WD-22</b>	Wall Mount with Ball Joint,
<b>70688 / WD-18</b>	Wall Mount with Ball Joint,
<b>91953 / VKC-1310S/D</b>	Dummy camera (VKC-1310S Series)



Maße/Dimensions: mm