

# Video Security



## VK-1317S/W2

1/3" HiRes B&W Camera with 3.8mm Lens  
VHP-2 Housing, 600TVL

Art-Nr. 96049



## Features

**B&W Board Camera VK-1317 in Weatherproof Housing**  
**1/3" CCD Sensor Chip**  
**Resolution of 600 Horizontal Lines**  
**Electronic Shutter Control (ESC)**  
**High Sensitivity**

**Integrated Lens: F2.0/3.8 mm**  
**Supply Voltage: 12 VDC**  
**Compact Version**  
**Index of Protection: IP67**  
**Protected Pan and Tilt Fixing Mechanism**

## Specifications

<b>Imager</b>	1/3" Sony Super HAD Interline Transfer CCD
<b>System</b>	CCIR
<b>Synchronization</b>	Internal
<b>Sensitivity at 50% video signal</b>	2.1Lux at F2.0 / 0.76Lux at F1.2 (VT measurement result)
<b>Horizontal resolution</b>	600 TV lines
<b>Active picture elements</b>	Approx. 440,000 (H) 752 x (V) 582
<b>Electronic shutter (ESC)</b>	1/50 to 1/100,000 sec.
<b>Video output</b>	1 Vp-p, VBS, 75 ohms
<b>Gamma correction</b>	0.45
<b>Integrated lens</b>	F2.0/3.8mm w./o. iris
<b>Aperture Correction (APC)</b>	Yes (horizontal)
<b>Horizontal angle of view</b>	65°
<b>Heater/sunshield</b>	No
<b>Cable connection</b>	Wiring for video and voltage supply made, accessible from outside
<b>Supply voltage</b>	12 VDC +/-10 %
<b>Power consumption</b>	Approx. 1.4watts
<b>Housing</b>	Aluminium with glass screen
<b>Colour</b>	Anodized aluminium (CO)

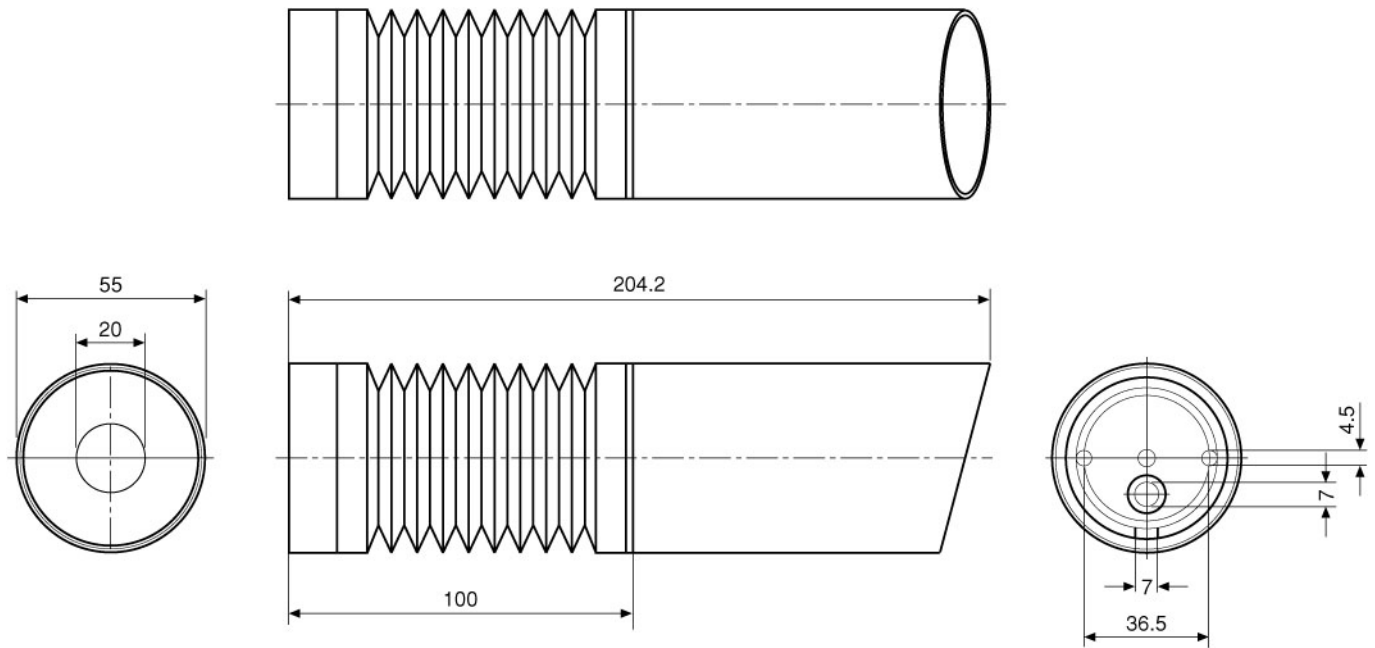
## VK-1317S/W2

(Specifications continued)

<b>Protection rating</b>	IP 67
<b>Temperature range</b>	-30°C to +40°C
<b>Dimensions (HxWxD)</b>	See drawing
<b>Weight</b>	480 g

## Accessories

<b>77772 / VT-PS12DCDT</b>	PSU 12VDC/0,5A, Desktop version
<b>70448 / VT-PS12DC-6</b>	Plug-in Power Supply 230VAC/12VDC (1.0A)



Maße/Dimensions: mm