

Video Security



VKC-1311S/230V
1/3" Colour Camera
DSP, 230VAC, 480TVL
Art-Nr. 91935



Lens is not included with the camera

Features

Horizontal Resolution of 480 TV Lines
High Sensitivity
Digital Signal Processing (DSP)
Automatic Gain Control (AGC)
Linear Shutter Control (ESC)
Automatic Shutter Control (AES)

Aperture Control (APC)
Backlight Compensation (BLC)
Internal Synchronization
Auto Iris and DC Iris Control
C/CS Mount
Supply Voltage: 230VAC

Specifications

Imager	1/3" Sony Super HAD Interline Transfer CCD
System	CCIR
Synchronization	Internal/Line-lock
Signal processing	DSP
Sensitivity at 50% video signal	1.3Lux at F1.2 (VT measurement result)
Horizontal resolution	480 TV lines
Active picture elements	Approx. 440,000 (H) 752 x (V) 582
Signal-to-noise ratio	50dB (AGC OFF)
Electronic shutter (ESC)	1/50 to 10,000sec.
Gamma correction	0.45 (ON/OFF switchable)
Automatic gain control (AGC)	ON/OFF switchable
Backlight compensation (BLC)	ON/OFF switchable
Camera mount	1/4" - 20 UNC thread on top and bottom
Lens mount	C/CS
Auto-Iris voltage supply	9VDC (40mA max.)
External adjustments	AGC, BLC, ESC, Flickerless, AWB ON/OFF, AI/DC iris control, AES/ESC, Flange focus Level for DC controlled lenses, V-phase adjustment

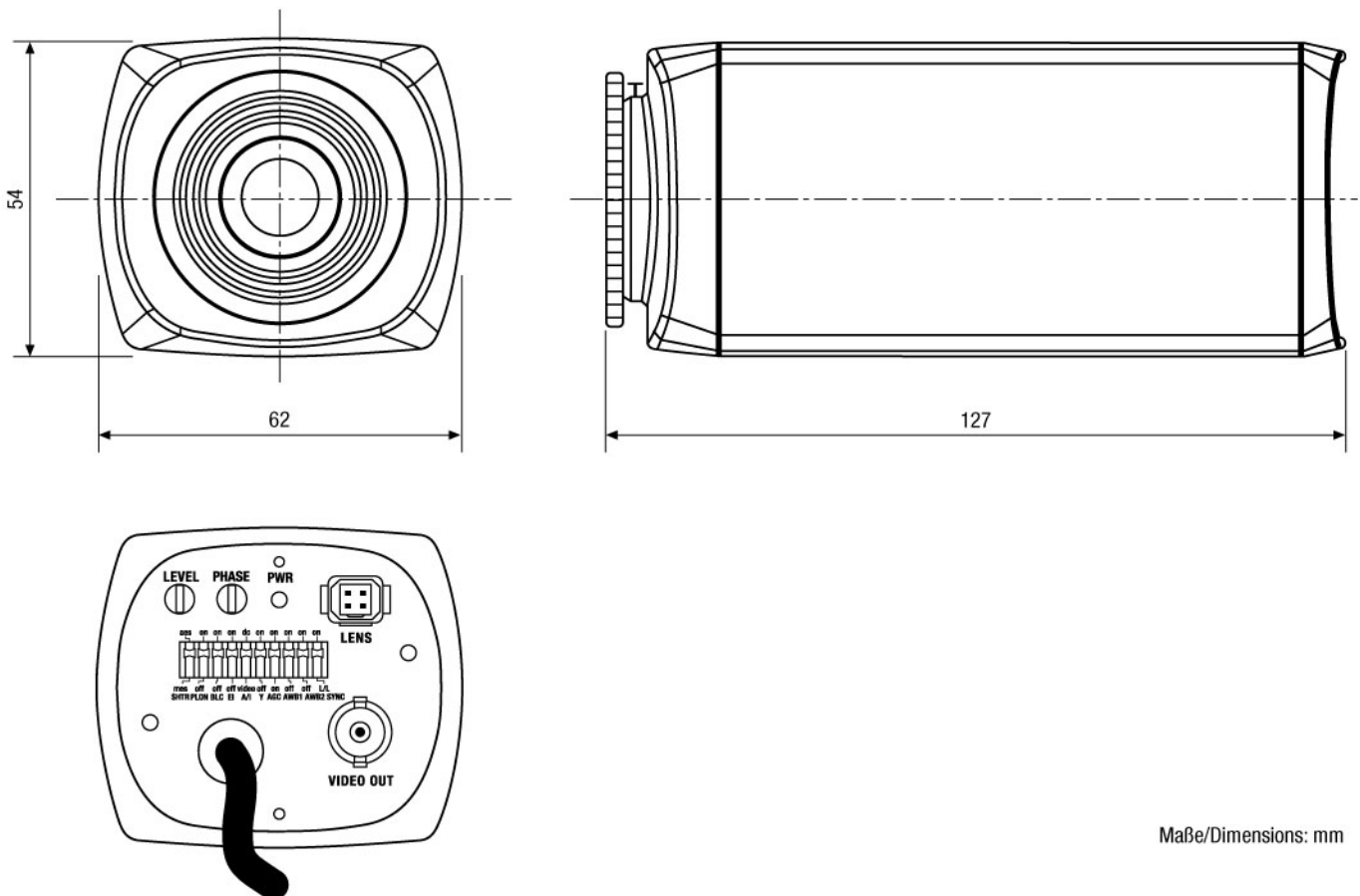
VKC-1311S/230V

(Specifications continued)

External connections	Video (BNC), Auto-Iris/DC iris (4-pin), Power cord
Usable iris controls	Manual iris, Auto-Iris/DC-Iris control
Supply voltage	230VAC (+/-10%), 50Hz
Power consumption	7watts
Temperature range	-10°C to +50°C
Dimensions (HxWxD)	See drawing
Colour	Body: Pantone 877, Front and back: Pantone 8400C
Weight	600g

Accessories

70771 / WD-23	Wall Mount with Ball Joint,
70769 / WD-22	Wall Mount with Ball Joint,
70688 / WD-18	Wall Mount with Ball Joint,
91953 / VKC-1310S/D	Dummy camera (VKC-1310S Series)



Maße/Dimensions: mm