

# Video Security



## VKC-1324/W3

1/3" Colour Camera w. F1.2/3.8-9.5mm Lens, 12VDC, 480TVL

Art-No. 96065



## Features

Weatherproof Camera with Swivel Head Bracket  
1/3" Colour CCD Camera with Varifocal Lens  
Built-in Lens F1.2/3.8-9.5mm with DC Iris Control  
Sensitivity: 0.5Lux  
Resolution of 480 Horizontal Lines  
Digital Signal Processing (DSP)

Automatic Shutter Control (AES)  
Back Light Compensation (BLC)  
Supply Voltage: 12VDC  
Fully Hidden Cable Routing  
Protection Rating: IP66/67  
Certified according to BGV Kassen

## Specifications

System	CCIR/PAL
Imager	1/3" Sony Super HAD Interline Transfer CCD
Active picture elements	Ca. 440.000, (H) 752 x (V) 582 Pixels
Synchronization	Internal
Signal-to-noise ratio	48dB
Gamma correction	Approx. 0.45
Horizontal resolution	480 TV lines
Sensitivity at 50% video signal	0.5Lux at F1.3 (F1.2)
Automatic shutter control (AES)	1/50 ~ 1/100.000Sec.
Automatic gain control (AGC)	28dB (AGC OFF)
White balance (ATW)	2500 ~ 8000K, Automatic tracking
Backlight compensation (BLC)	Center weighted
Video output	1Vp-p, CVBS, 75ohms
Lens	F1.2/F2.0 ~ 360/3.8 ~ 9.5mm with galvanometer driven iris
Focus range	0.15m ~ ∞
Horizontal angle of view	74.2° ~ 30°

## VKC-1324/W3

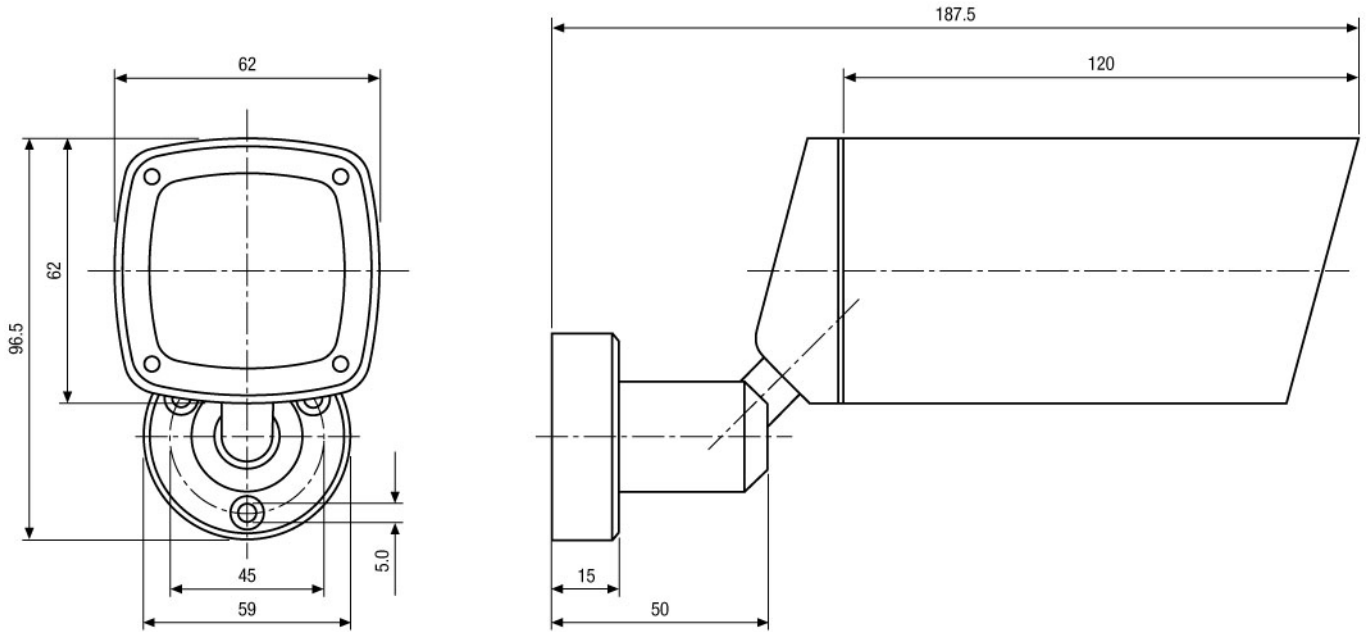
(Specifications continued)

<b>Cable connection</b>	Wiring for video and voltage supply made, accessible from outside (1.5m long, Video: BNC jack; 12/24V input: for DC plug 2.1/5.5mm)
<b>Hidden Cable Management Support</b>	Fully Hidden Cable Routing
<b>Housing</b>	Aluminium with clear polycarbonate window
<b>Window screen</b>	PC (Lexan)
<b>Colour</b>	Pantone 7541
<b>Protection rating</b>	IP66/67
<b>Kind of mounting</b>	Integrated wall mount with ball joint
<b>Mounting</b>	Wall or Ceiling*)
<b>Supply voltage</b>	12VDC (9 ~ 18VDC)
<b>Power consumption</b>	3.0watts max.
<b>Temperature range</b>	-20°C ~ +50°C (Camera modul)
<b>Dimensions (HxWxD)</b>	See drawing
<b>Weight</b>	Approx. 680g

## Accessories

<b>77779 / VT-PS12DC-UK</b>	Power Supply Unit w. UK Mains plug-in, 100-240VAC/12VDC-1.0A, Regul., open Ends
<b>77772 / VT-PS12DCDT</b>	PSU 12VDC/0,5A, Regulated, Desktop Version, 1.8m Cable each w. open ends
<b>70447 / VT-PS12DC-5</b>	Plug-in Power Supply Unit 100-240VAC 12VDC (1.0Amp), Regulated, with DC Plug

## Product Information



Maße/Dimensions: mm

SLD Security & Communications  
 The Old Forge, Ockham Lane, Ockham, Surrey GU236PH England  
 Phone +44.1483225633 · Fax +44.1483225634  
 sales@sld.co.uk · www.sld.co.uk

