

# Video Security

Cameras | Covert Camera Systems

## VKC-1332/SMD

1/3" Colour Camera with 3.6mm Lens  
in Smoke Detector Housing, 12VDC, 470TVL

Art-No. 91987



## Features

**For Wall and Drop Ceiling Mount**  
**Resolution of 470 Horizontal Lines**  
**Built-in Pinhole Lens F2.0/3.6mm**  
**Automatic Shutter Control (AES)**

**Internal Synchronization**  
**Supply Voltage: 12 VDC**  
**Easy Installation**

## Specifications

<b>Imager</b>	1/3" Interline transfer CCD
<b>Picture elements</b>	Approx. 440,000 (H) 782 x (V) 582
<b>System</b>	CCIR/PAL
<b>Synchronization</b>	Internal
<b>Sensitivity at 50% video signal</b>	1.4Lux at F2.0 / 0.5Lux at F1.2 (VT measurement result)
<b>Horizontal resolution</b>	470 TV lines
<b>Signal-to-noise ratio</b>	46dB (AGC OFF)
<b>Automatic shutter control (AES)</b>	1/50 ~ 1/100,000Sec.
<b>Automatic white balance (AWB)</b>	2000 ~ 10000K
<b>Gamma correction</b>	0.45
<b>Lens</b>	F2.0/3.6mm
<b>Horizontal angle of view</b>	69°
<b>External connections</b>	Video (BNC), 12VDC (DC plug)
<b>Video output</b>	1Vp-p, CVBS, 75ohms
<b>Supply voltage</b>	12VDC (+/-10 %)
<b>Power consumption</b>	1.2watts
<b>Temperature range</b>	-10° ~ +50°C
<b>Housing</b>	Plastic
<b>Mounting</b>	Wall and drop ceiling mount
<b>Colour</b>	White

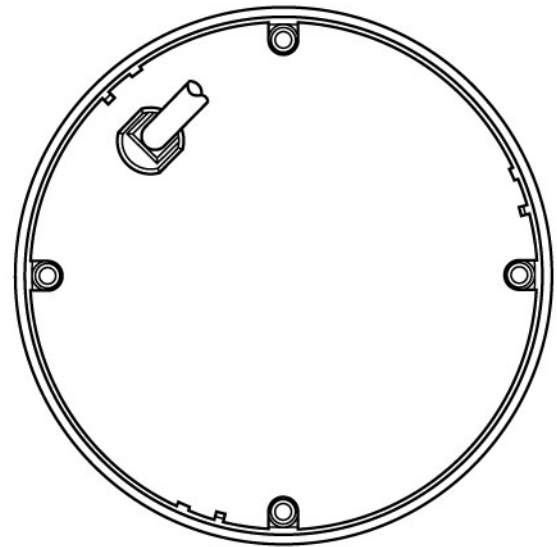
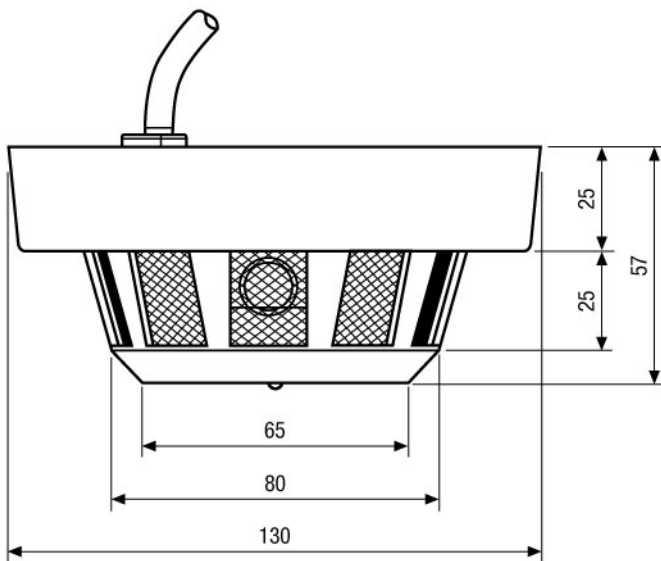
## VKC-1332/SMD

(Specifications continued)

<b>Dimensions (DxH)</b>	See drawing
<b>Weight</b>	140g

## Accessories

<b>77779 / VT-PS12DC-UK</b>	Power Supply Unit w. UK Mains plug-in, 100-240VAC/12VDC-1.0A, Regul., open Ends
<b>70447 / VT-PS12DC-5</b>	Plug-in Power Supply Unit 100-240VAC 12VDC (1.0Amp), Regulated, with DC Plug
<b>77772 / VT-PS12DCDT</b>	PSU 12VDC/0,5A, Regulated, Desktop Version, 1.8m Cable each w. open ends



Maße/Dimensions: mm

SLD Security & Communications  
The Old Forge, Ockham Lane, Ockham, Surrey GU236PH England  
Phone +44.1483225633 · Fax +44.1483225634  
sales@sld.co.uk · www.sld.co.uk

