

Video Security



VKC-1333IR/W3

1/3" Day/Night Camera w. IR Illumination
F1.2/3.8-9.5mm, 12VDC/24VAC, 480TVL

Art-No. 96066



Features

Weatherproof Camera with Swivel Head Bracket
1/3" Day/Night CCD Camera with Varifocal Lens
Lens F1.2/3.8-9.5mm with DC Iris Control
Sensitivity: 0.005Lux at F1.2 (DSS ON)
Resolution of 480 Horizontal Lines
Removable IR Cut Filter

Sensitivity Enhancement: 16x max. (DSS Function)
Switchable Low Speed Shutter (High/Low)
Back Light Compensation (BLC)/Shutter Control (AES)
IR Illumination by 15 integrated 850/880nm LED's
Supply Voltage: 12VDC/24VAC
Hidden Cable Routing / Protection Rating: IP66/67

Specifications

System	CCIR/PAL
Imager	1/3" Sony Super HAD Interline Transfer CCD
Active picture elements	Ca. 440.000, (H) 752 x (V) 582 Pixels
Synchronization	Internal
Signal-to-noise ratio	48dB
Gamma correction	Approx. 0.45
Horizontal resolution	480 TV lines
Sensitivity at 50% video signal	0.005Lux at F1.2 (VT measurement at 16x integration rate)
Electronic shutter	1/4 ~ 1/100,000Sec.
Low speed shutter	1/4 ~ 1/50Sec. (DSS)
Integration rate	8x/16x, selectable
Automatic gain control (AGC)	28dB max. (AGC OFF)
White balance (ATW)	2500 ~ 8000K, Automatic tracking
Backlight compensation (BLC)	Center weighted
IR cut filter	Motorized, switchable filter. Automatic function depend on the amount of light. Manual switching: see "switching-over colour/b&w". In removed filter position, the colour signal will be switched OFF

VKC-1333IR/W3

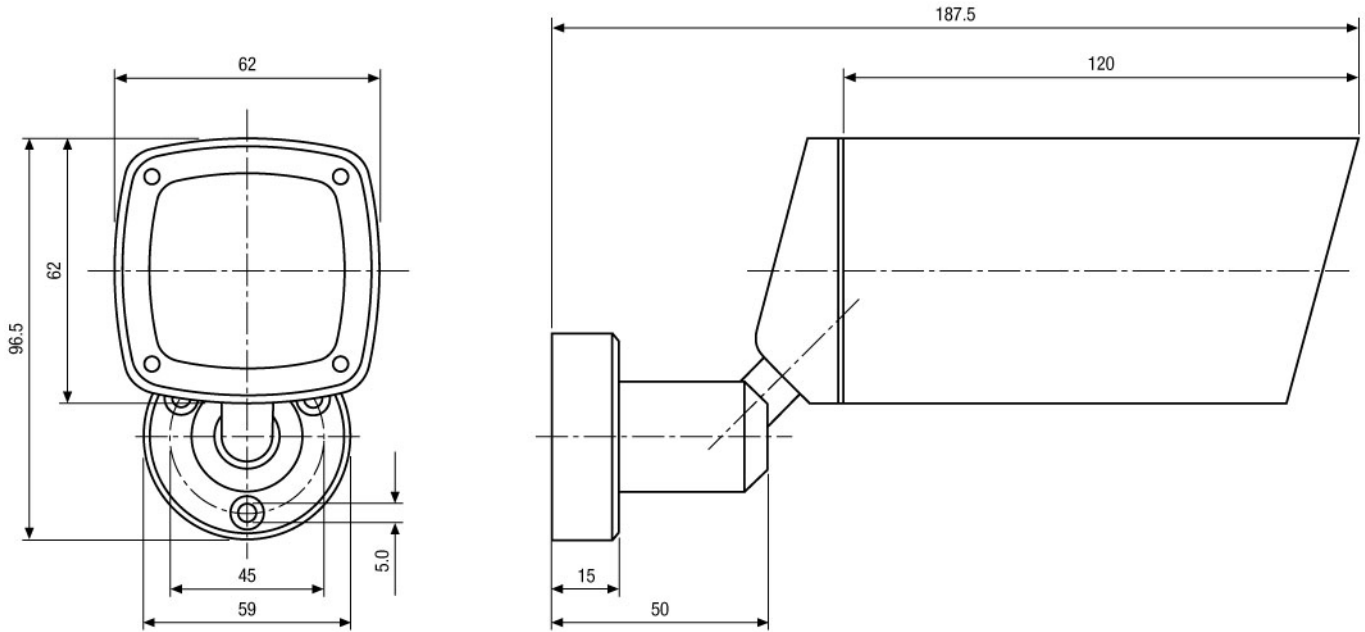
(Specifications continued)

Video output	1Vp-p, CVBS, 75ohms
Lens	F1.2/F2.0 ~ 360/3.8 ~ 9.5mm with galvanometer driven iris
Focus range	0.15m ~ ∞
Horizontal angle of view	74.2° ~ 30°
Illumination	3x LED's 850nm / 12x LED's 880nm. Due to an integrated light sensor the LED illumination will be switched ON/OFF, depending from environmental illumination conditions. Full IR emission amount is guaranteed at >11VDC.
Illumination range	30m (at a good light reflexion and 40% Videosignal)
Cable connection	Wiring for video and voltage supply made, accessible from outside (1.5m long, Video: BNC jack; 12/24V input: for DC plug 2.1/5.5mm)
Hidden Cable Management Support	Fully Hidden Cable Routing
Housing	Aluminium with clear polycarbonate window
Window screen	PC (Lexan)
Colour	Pantone 7541
Protection rating	IP66/67
Kind of mounting	Integrated wall mount with ball joint
Mounting	Wall or Ceiling*)
Supply voltage	12VDC (10.5~30VDC); 24VAC (12~29VAC)
Power consumption	Approx. 5.0watts
Temperature range	-20°C ~ +50°C (Camera modul)
Dimensions (HxWxD)	See drawing
Weight	Approx. 680g

Accessories

77779 / VT-PS12DC-UK	Power Supply Unit w. UK Mains plug-in, 100-240VAC/12VDC-1.0A, Regul., open Ends
77772 / VT-PS12DCDT	PSU 12VDC/0,5A, Regulated, Desktop Version, 1.8m Cable each w. open ends
70447 / VT-PS12DC-5	Plug-in Power Supply Unit 100-240VAC 12VDC (1.0Amp), Regulated, with DC Plug
73844 / FW7362/12	Plugable AC/DC Adapter 100-240V/12VDC-2.5A, Regulated

Product Information



Maße/Dimensions: mm

SLD Security & Communications
 The Old Forge, Ockham Lane, Ockham, Surrey GU236PH England
 Phone +44.1483225633 · Fax +44.1483225634
 sales@sld.co.uk · www.sld.co.uk

