

VKC-1358/IR

Home | Security | Cameras | Plug & Play

VKC-1358/IR
1/3" Day&Night Camera w. IR Illumination F1.2/3.8-9.5mm,
550TVL, 12VDC/24VAC
Art-Nr. 92136



SLD Security & Communications

Main Features

1/3" Sony ExView HAD CCD Sensor
Sensitivity of 0.55 Lux at F1.2 (Colour)
Automatic Gain Control (AGC)
Automatic White Balance (AWB/ATW)
Integral Varifocal Lens F1.2/3.8-9.5mm
DC Iris Control / Removable IR Cut Filter

Externally Adjustable Focus & Zoom by Rings
IR Illumination by 42 Integral 850nm LEDs
Illumination Range: approx. 35m
Supply Voltage 12VDC/24VAC
Fully Hidden Cable Routing/Protection Rating IP66
For Wall and Ceiling Mount

Specifications

System	day&night
Video standard	CCIR/PAL
Signal processing	Digital (DSP)
Sensor size	1/3"
Imager	CCD, Sony ExView HAD Interline Transfer CCD
Active picture elements	440,000, 752(H) x 582(V)
Synchronization	Internal/AC line lock
Signal-to-noise ratio	48dB (AGC Off)
Horizontal resolution	550 TVL, (colour), 580 TVL (B&W)
Sensitivity (at 50% video signal)	0,55 Lux, at F1.2 (color), 0.23Lux (B&W), Videor measurement result
Integration rate	no
Automatic gain control (AGC)	Included
Digital Noise Reduction (DNR)	no
White balance	AWB/ATW selectable
Backlight compensation	no
Aperture Correction (APC)	Horizontal and vertical

VKC-1358/IR

(Continuation Specifications)

Switchable IR cut filter	yes
Video outputs (type)	CVBS, VBS
Video outputs	1Vp-p, (C)VBS, 75ohms, BNC
Lens type	varifocal
Lens	F1.2/F2.0 ~360/3.8 ~9.5mm with galvanometer controlled iris
Lens mount	integrated lens
Aspherical technology	yes
Focal length	3,8 mm - 9,5 mm
Horizontal angle of view	74,2° - 30°
Iris control	Auto iris controlled, DC
Focus range	0.15m ~?
Filter screw size	not available
MOD (Minimum object distance)	0,15 m
Illumination	42 LEDs 850nm. Integrated light sensor for On/Off switching of the illumination
Illumination range	approx. 35m (at a good light reflexion and 40% Videosignal)
Serial interfaces	no
External connections	Video (BNC), 2-pin Power input
Cable connection	Wiring for video and voltage supply made, accessible from outside (1.8m)
Kind of mounting	Integrated wall mount with ball joint
Protection rating	IP66
Supply voltage	12VDC, 24VAC, (+/-10%)
Power consumption	approx. 10watts
Temperature range (Operation)	-10° ~+50°C
Housing material	Aluminium
Housing	Outdoor
Integrated wall mount	yes
Hidden cable management	yes
Sunshield	yes
Window heater	no
Clear Shield	no
Colour (housing)	silver grey
Colour	Silver grey
Dimensions (HxWxD)	See drawing
Parts supplied	Camera, Manual
Certificates	CE

Optional accessories

70449	NE-128	Voltage supply unit 230V/24VAC-5A, IP66
-------	--------	---

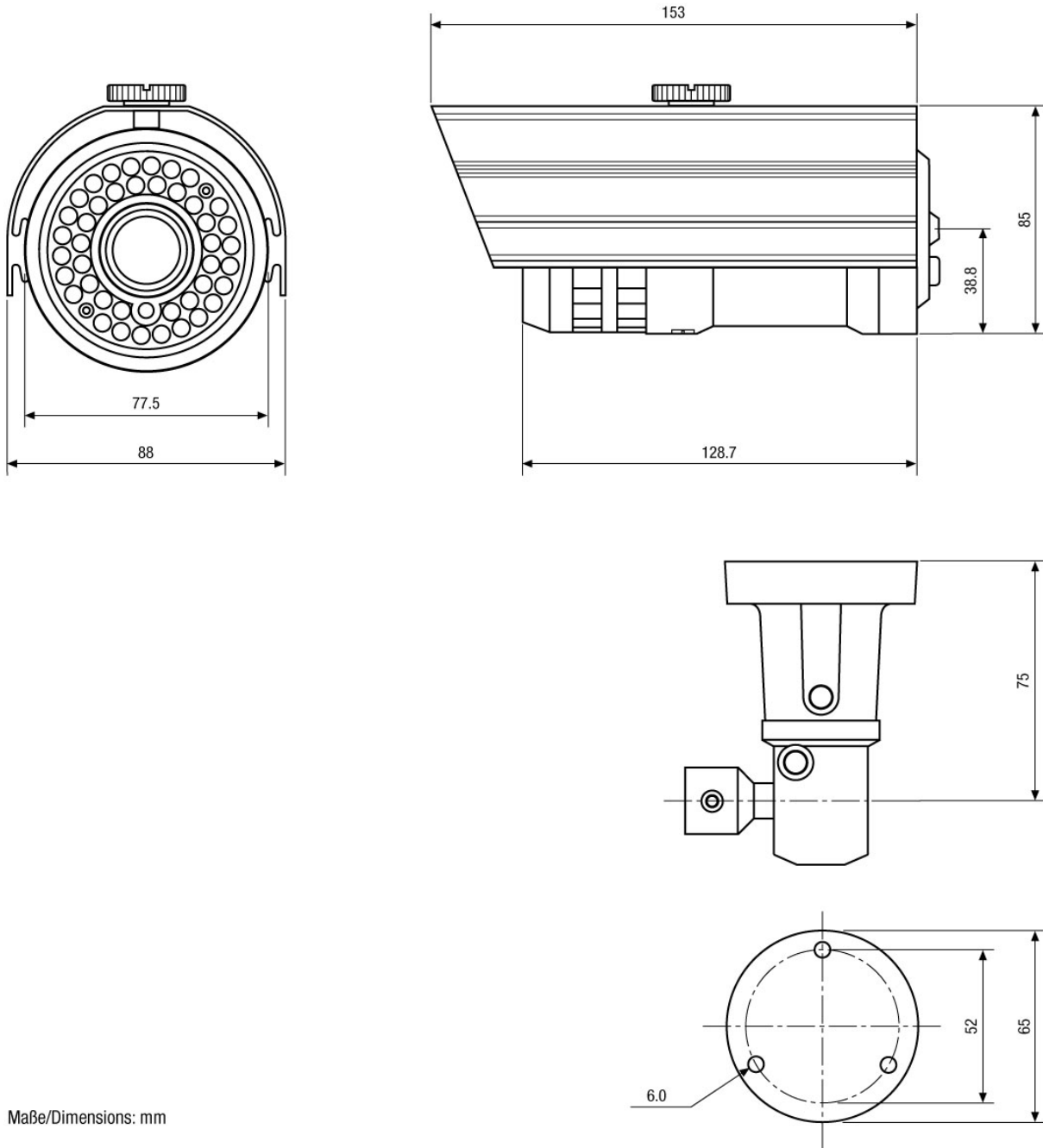
VKC-1358/IR

70527	NE-132/AC24V	Power Supply Unit 230VAC/24VAC (1.0A)
70495	VT-PS12DC-7	Plugable PSU w. Cont. & UK Mains plug-in 100-240VAC/12VDC-1.25A, Regulated

VKC-1358/IR

Home | Security | Cameras | Plug & Play

Technical drawing



Maße/Dimensions: mm

SLD Security & Communications
The Old Forge, Ockham Lane, Ockham, Surrey GU236PH England
Phone +44.1483225633 · Fax +44.1483225634
sales@sld.co.uk · www.sld.co.uk

