

# Plug & Play Camera Packs

1/4" Candid Junior II Colour Camera  
Package, weatherproof, 12VDC, 470TVL

EDP-No.: 96032

## VKC-148/W2

- Colour Brd. Camera VKC-148 in Weatherproof Housing
- 1/4" CCD Sensor Chip
- Resolution of 470 Horizontal Lines
- Electronic Shutter Control (ESC)
- Back Light Compensation (BLC)
- Automatic White Balance (AWB)
- Automatic Gain Control (AGC)
- Integrated Lens: F2.0/2.9 mm
- Supply Voltage: 12 VDC
- Compact Version
- Index of Protection: IP67
- Protected Pan and Tilt Fixing Mechanism



---

## Specifications:

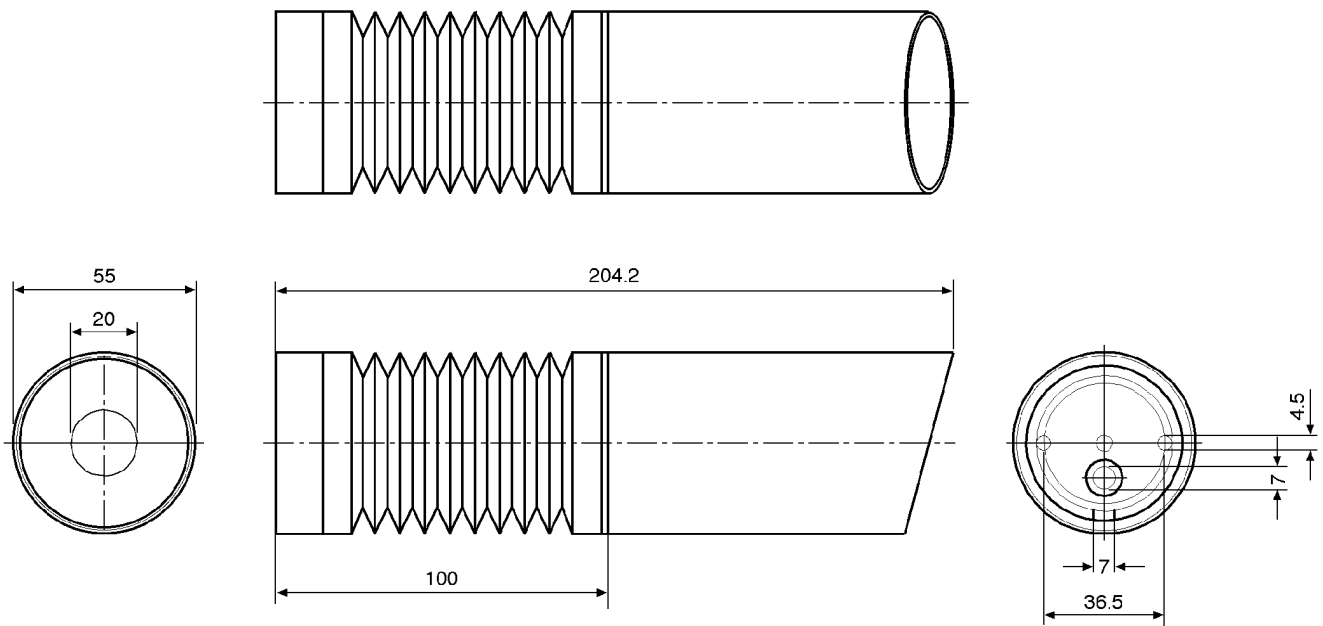
---

Imager	1/4" Sony Super HAD Interline Transfer CCD
System	CCIR/PAL
Synchronization	Internal
Sensitivity at 50% video signal	1.75 Lux at F2.0 (VT measurement result)
Horizontal resolution	470 TV lines
Active picture elements	Approx. 440,000 (H) 752 x (V) 582
Electronic shutter (ESC)	1/50 to 1/100,000 sec. (ON/OFF switchable)
Video output	1 Vp-p, CVBS, 75 ohms
White balance	Automatic (ON/OFF switchable)
Gamma correction	Approx. 0.45
Integrated lens	F2.0/2.9 mm w./o. iris
Heater/sunshield	No
Cable connection	Wiring for video and voltage supply made, accessible from outside
Supply voltage	12 VDC +/-10%
Power consumption	Approx. 1.5 watts
Housing	Aluminium with glass screen
Colour	Anodized aluminium (CO)
Protection rating	IP 67

## VKC-148/W2

Temperature range	-30°C to +40°C
Dimensions (HxWxD)	See drawing
Weight	480 g
Parts supplied	Bag of screws

Accessories	
EDP No. / Type	Description
70442 VT-PS12DC-3	Power Supply 230VAC/12VDC(500mA), stabilized
77779 VT-PS12DC-UK	Plugable PSU 12VDC-500mA, stabilized with UK mains plug, open DC lead
40061 H0820M	F2.0/8mm Board Camera Lens, 1/3", M12X0,5
40064 H0320M	F2.0/3.6mm VK board camera lens 1/3"



Maße/Dimensions: mm