

VKCD-1320SM/VF

Home | Security | Dome Cameras | Fixed

VKCD-1320SM/VF
1/3" Colour Dome Camera, Drop Ceiling Mount,
F1.2/3-9mm Lens, 12VDC, 540TVL

Art-Nr. 92156



Main Features

For Drop Ceiling or Wall Mount	Automatic Shutter Control (AES)
Clear bubble with Inner Liner	Automatic White Balance (ATW)
Resolution of 540 Horizontal Lines	Backlight Compensation (BLC)
Sensitivity of 0.2Lux (F1.2)	Easy Installation
Built-in Lens F1.2/3-9mm with DC Iris Control	Supply Voltage: 12VDC
Digital Signal Processing (DSP)	

Specifications

Video standard	PAL
System	Colour
Sensor size	1/3"
Imager	CCD, Sony Super HAD Interline Transfer CCD
Synchronization	Internal
Sensitivity (at 50% video signal)	0,2 Lux, at F1.2 (Videor measurement result)
Horizontal resolution	540 TVL
Rotation range	110°
Horizontal turning range	(+/-55°)
Tilt range	80° (+10° ~+90° ceiling as reference)
Automatic gain control (AGC)	28dB, ON/OFF switchable
Automatic shutter control (AES)	1/50 ~1/100,000sec. (Automatic)
Integration rate	no
Digital Noise Reduction (DNR)	no
White balance (ATW)	2000 ~8000K, Automatic tracking
Backlight compensation	BLC

VKCD-1320SM/VF

(Continuation Specifications)

Switchable IR cut filter	no
Video outputs (type)	CVBS
Video outputs	1Vp-p, CVBS, 75ohms
Lens mount	integrated lens
Lens type	varifocal
Lens	F1,2 ~F360 / 3 ~9mm with galvanometer driven iris
Aspherical technology	yes
Focal length	3 mm - 9 mm
Horizontal angle of view	66,2° - 23,9°
Iris control	no
MOD (Minimum object distance)	0,5 m
Focus range	0.5m ~?
Filter screw size	not available
External connections	Video (BNC), 12VDC (DC socket)
Serial interfaces	no
Temperature range (Operation)	-10° ~+50°C
Heater	no
Protection rating	IP40
Supply voltage	12VDC
Power consumption	1.8watts max.
Vandalism resistant	no
Colour (bubble)	clear
Camera fixing	no
Mounting	surface mount, wall mount
Housing	Indoor
Housing material	Plastic
Housing	Plastic with clear bubble and black inner liner
Colour (housing)	black
Dimensions (HxWxD)	See drawing
Weight	approx. 310g
Certificates	CE

Optional accessories

7773	VT-PS12DCDT1	PSU 12VDC/1.0A, Regulated, Desktop Version, 1.8m Cables each w. open ends
70495	VT-PS12DC-7	Plugable PSU w. Cont. & UK Mains plug-in 100-240VAC/12VDC-1.25A, Regulated
70535	VT-PS12DC-8	Plug-in Power Supply Unit 100-240VAC 12VDC (1.0Amp), Regulated, with DC Plug
92153	VKCD-1320/DUMMY	Dummy camera (VKCD-1320 Series)

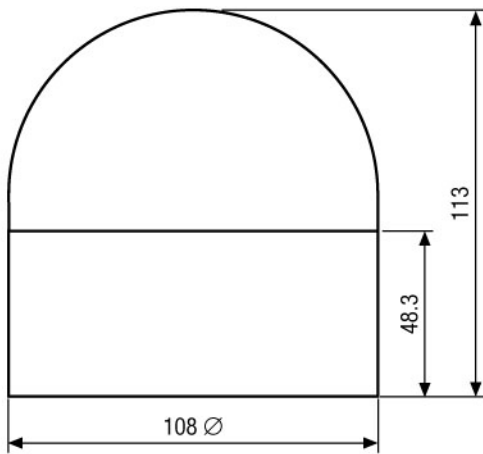
VKCD-1320SM/VF

91883	VKCD/WMB-2	Wall Mount Bracket, Grey, for VKCD-136, VKCD-145, VKCD-146, VKCD-1310
92047	VKCD/WMB-2SW	Wall Mount Bracket, Black, for VKCD-1320SM/VF

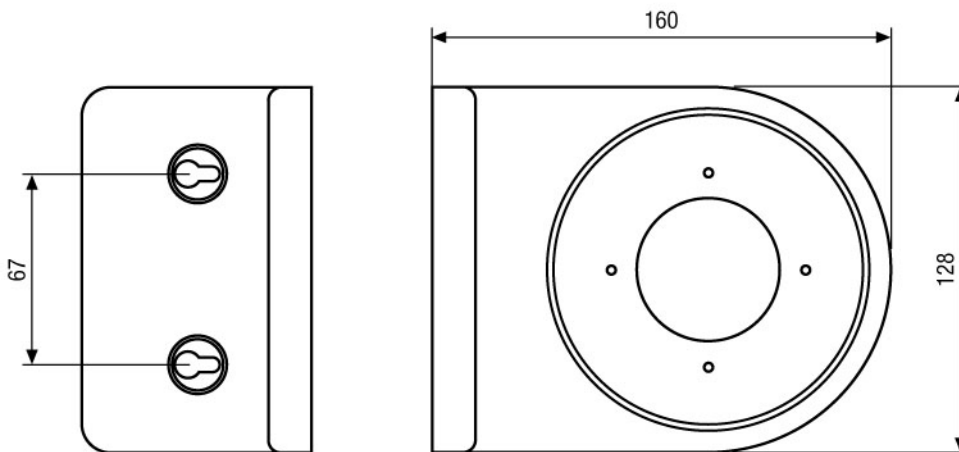
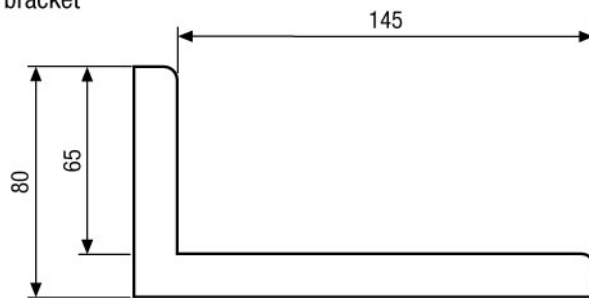
VKCD-1320SM/VF

Home | Security | Dome Cameras | Fixed

Technical drawing



Wandhalterung / Wall bracket
VKCD-145/136-WM



Maße/Dimensions: mm

SLD Security & Communications
The Old Forge, Ockham Lane, Ockham, Surrey GU236PH England
Phone +44.1483225633 · Fax +44.1483225634
sales@sld.co.uk · www.sld.co.uk

