

# VKCD-1328WFM/MF

Home | Security | Dome Cameras | Fixed

VKCD-1328WFM/MF  
1/3" Day&Night Minidome, Flush Mount, F1.8/3.7mm,  
540TVL, 12VDC, white  
Art-Nr. 92539



SLD Security & Communications

## Main Features

<b>For Wall and In-ceiling Mount</b>	<b>Backlight Compensation (BLC)</b>
<b>Vandal Resistant</b>	<b>Automatic White Balance (ATW)</b>
<b>Removable IR Cut Filter</b>	<b>Manual 3-axis Camera Adjustment</b>
<b>Integrated Lens F2.0/3.7mm</b>	<b>White Aluminium Die-cast Casing</b>
<b>Resolution of 540 Horizontal Lines</b>	<b>Clear Lexan Bubble, 57mm</b>
<b>High Speed Shutter Control (ESC)</b>	<b>For Easy Indoor and Outdoor Installation (IP66)</b>

## Specifications

<b>System</b>	day&night
<b>Video standard</b>	PAL
<b>Sensor size</b>	1/3"
<b>Imager</b>	CCD, Sony Super HAD II Interline Transfer
<b>Illumination</b>	no
<b>Active picture elements</b>	440,000, 752(H) x 582(V)
<b>Synchronization</b>	Internal
<b>Signal-to-noise ratio</b>	50dB (AGC OFF)
<b>Horizontal resolution</b>	540 TVL
<b>Sensitivity (at 50% video signal)</b>	0.16Lux (colour), 0.1Lux at b&w (Videor measurement result at F1.2)
<b>High-speed shutter (ESC)</b>	1/50 ~1/100,000sec.
<b>Integration rate</b>	no
<b>Automatic gain control (AGC)</b>	Included
<b>Digital Noise Reduction (DNR)</b>	no
<b>White balance (ATW)</b>	3000 ~8000K (Automatic)
<b>Backlight compensation</b>	BLC, Center weighted

# VKCD-1328WFM/MF

(Continuation Specifications)

Aperture Correction (APC)	Horizontal and vertical
IR cut filter	switchable
Video outputs (type)	CVBS
Video outputs	1Vp-p, (C)VBS, 75ohms, BNC
Lens type	fixed focal length
Lens	F2.0 / 3.7mm with fixed iris
Lens mount	integrated lens
Aspherical technology	n/a
Focal length	3,7 mm
Horizontal angle of view	67°
Iris control	no
Filter screw size	not available
MOD (Minimum object distance)	0,1 m
Serial interfaces	no
Cable connection	Video (BNC), 12VDC (DC jack)
Protection rating	IP66, at installation according to the manual
Supply voltage	12VDC, 12VDC (9 ~15VDC), 12VDC ±0.5V recommended
Power consumption	3.0watts
Temperature range (Operation)	-10° ~+50°C
Housing material	Aluminium
Housing	Outdoor
Hidden cable management	yes
Colour (housing)	white
Dimensions (HxWxD)	See drawing
Weight	200g
Parts supplied	Camera, Manual
Certificates	CE

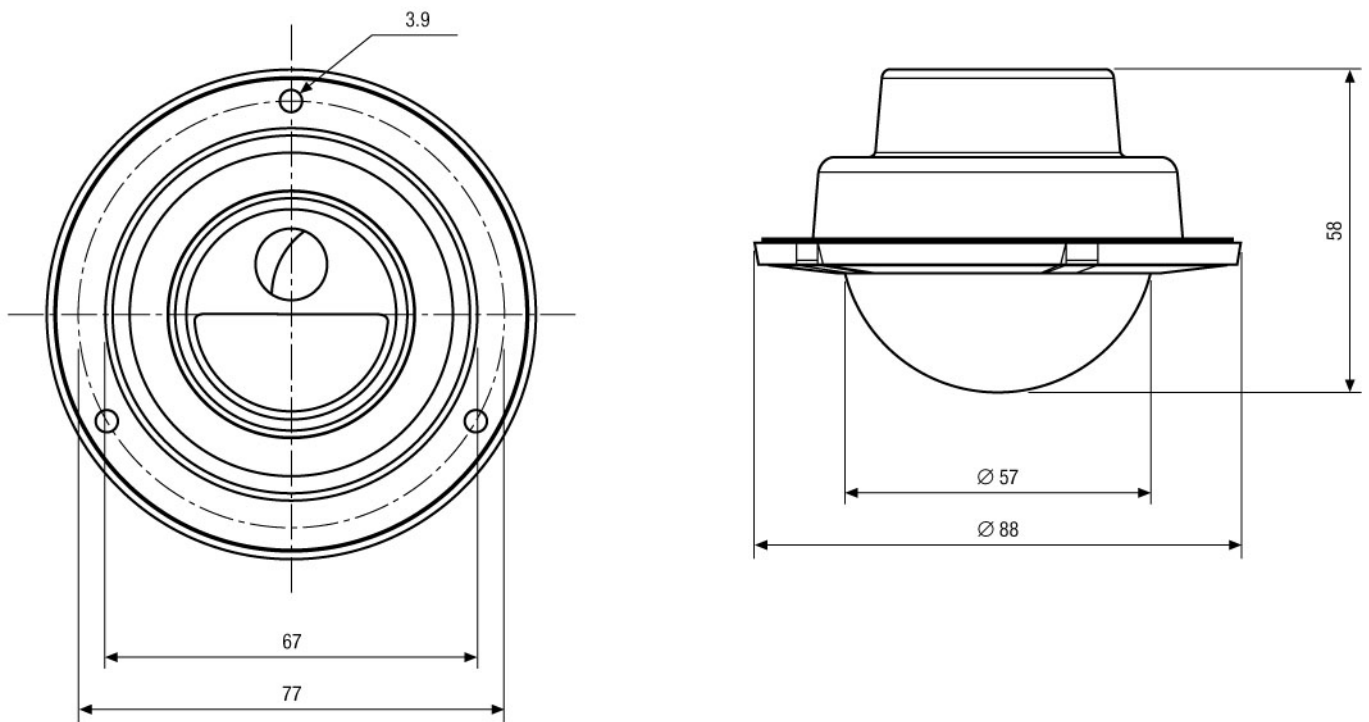
## Optional accessories

77773	VT-PS12DCDT1	PSU 12VDC/1.0A, Regulated, Desktop Version, 1.8m Cables each w. open ends
70495	VT-PS12DC-7	Plugable PSU w. Cont. & UK Mains plug-in 100-240VAC/12VDC-1.25A, Regulated
70535	VT-PS12DC-8	Plug-in Power Supply Unit 100-240VAC 12VDC (1.0Amp), Regulated, with DC Plug

# VKCD-1328WFM/MF

Home | Security | Dome Cameras | Fixed

## Technical drawing



Maße/Dimensions: mm

SLD Security & Communications  
The Old Forge, Ockham Lane, Ockham, Surrey GU236PH England  
Phone +44.1483225633 · Fax +44.1483225634  
sales@sld.co.uk · www.sld.co.uk

