

Video Security



VKCD-143

1/4" Colour Dome Camera, Drop Ceiling Mount, 3.6mm Lens, 12VDC, 330TVL

Art-No. 91801



Wall mount is not included with the dome camera

Features

For Drop Ceiling or Wall Mount

Clear bubble with Inner Liner

Resolution of 330 Horizontal Lines

Sensitivity of 2.0Lux (F2.0)

Built-in Lens F2.0/3.6mm

Digital Signal Processing (DSP)

Automatic Shutter Control (AES)

Automatic White Balance (ATW)

Backlight Compensation (BLC)

Easy Installation

Supply Voltage: 12VDC

Option: Wall Mount Bracket

Specifications

Imager	1/4" Sony Super HAD Interline Transfer CCD
System	CCIR/PAL
Synchronization	Internal
Sensitivity at 50% video signal	2.0Lux at F2.0 / 0.7 Lux at F1.2 (VT measurement result)
Horizontal resolution	330 TV lines
Automatic gain control (AGC)	28dB, ON/OFF switchable
Automatic shutter control (AES)	1/50 ~ 1/100,000sec.
White balance (AWB)	Automatic (2500 ~ 8000K)
Lens	F2.0/3.6mm (M9x0.5mm)
Horizontal angle of view	52°
Horizontal turning range	110° (+/-55°)
Vertical tilt range	65° (25° ~ 90°, ceiling as reference)
External connections	Video (BNC), 12VDC (DC socket)
Video output	1Vp-p, CVBS, 75ohms
Supply voltage	12VDC (+/-20%)
Power consumption	1.5watts max.
Temperature range	-10°C ~ +50°C
Housing	Plastic with clear bubble and black inner liner

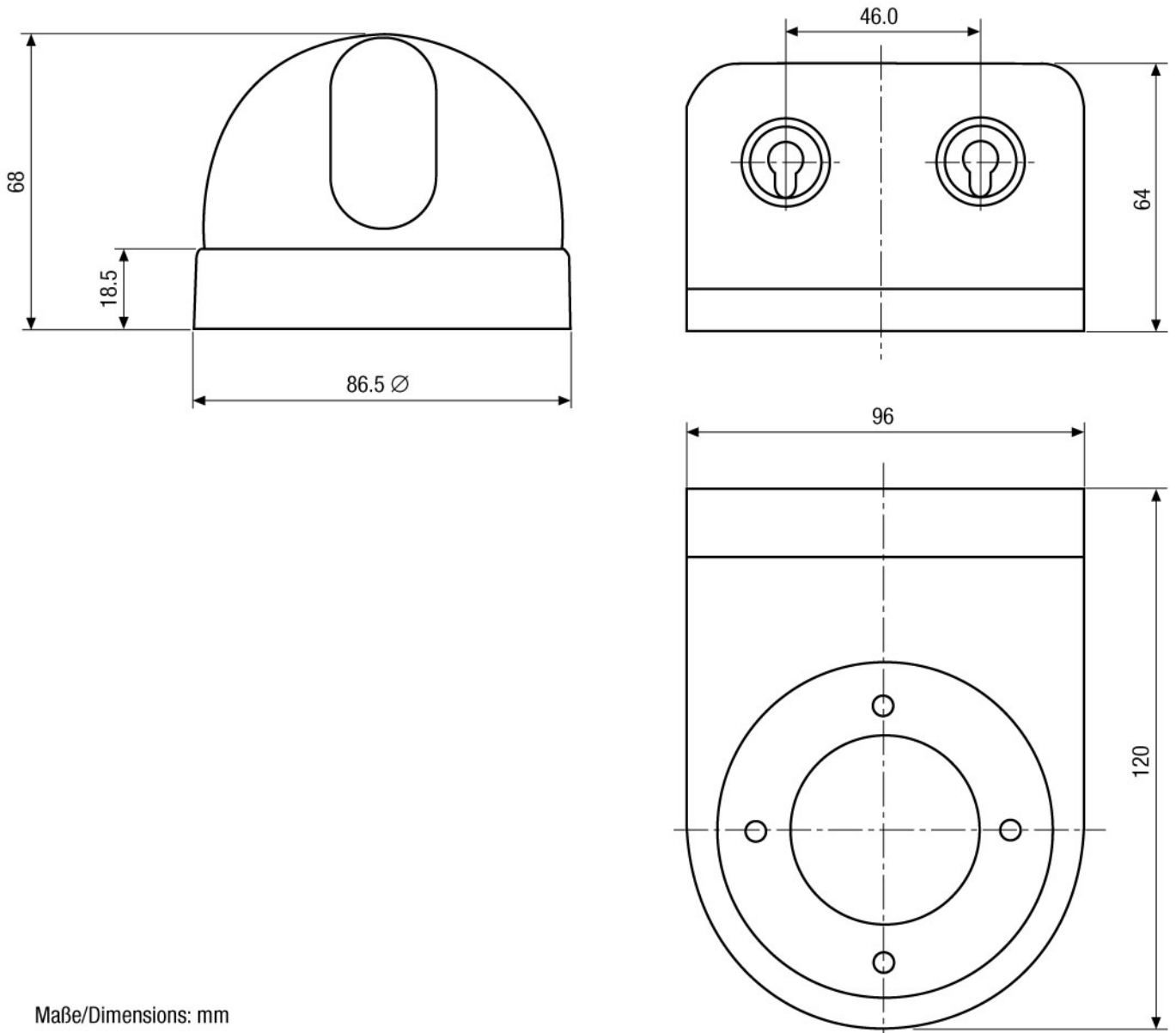
VKCD-143

(Specifications continued)

Mounting	For wall and drop ceiling mount
Housing color	Light grey
Dimensions (DxH)	See drawing
Weight	Approx. 120g

Accessories

77779 / VT-PS12DC-UK	Power Supply Unit w. UK Mains plug-in,
70447 / VT-PS12DC-5	Plug-in Power Supply Unit 100-240VAC



Maße/Dimensions: mm