

# YV10X5HR4A-SA2L

Home | Security | Lenses | Varifocal

YV10X5HR4A-SA2L  
F1,6/5-50mm Megapixel DC Lens, 1/3", Varifocal,

No Focus Shift, CS Mount

Art-Nr. 45251



## Main Features

Suitable for 1/3" and 1/4" colour and b&w cameras  
No-focus-shift from visible to near IR light range  
Variable focal length  
Aspherical lens elements

CS mount  
High standard of optical and mechanical quality  
Without built-in auto iris amplifier  
With 4-pin connector

## Specifications

Lens type	varifocal
Application range	security, day/night
Day/Night	yes
Megapixel	yes
Aspherical technology	yes
Nominal format size	1/3"
Flange focal length	12.5mm
Mount	CS
Focal length	5 mm - 50 mm
Horizontal angle of view	51,3° - 5,5°
MOD (Minimum object distance)	0,3 m
Aperture range (F)	F1.6~F360
Iris control	DC
Screw-in depth	5.0mm
Filter screw size	not available

# YV10X5HR4A-SA2L

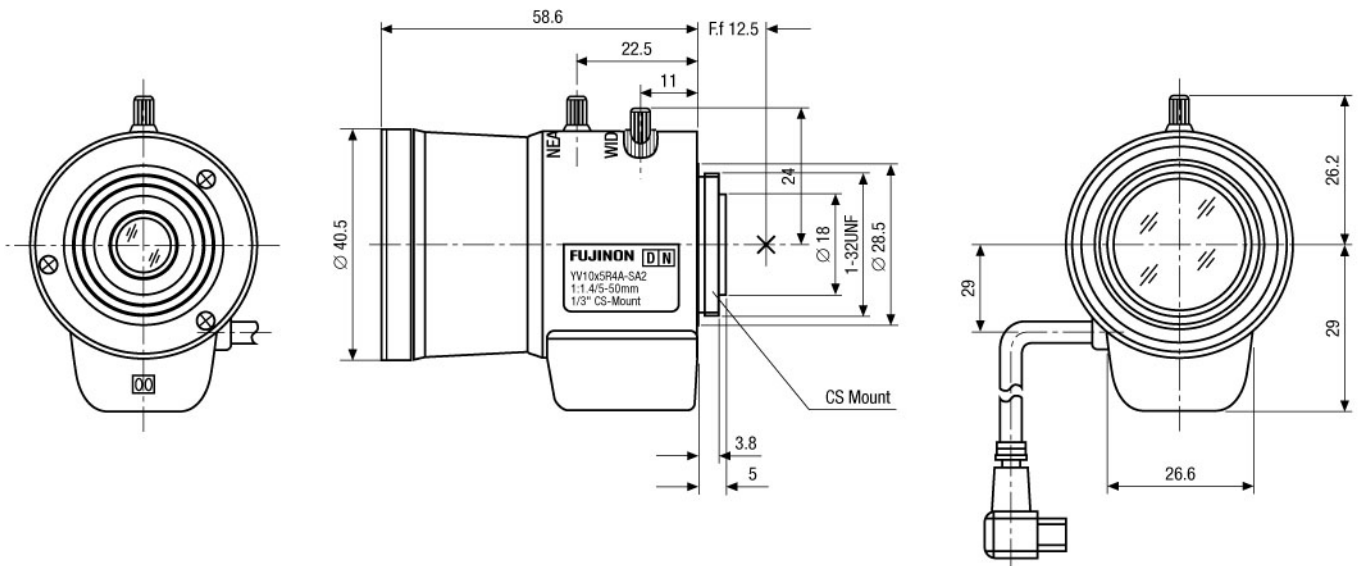
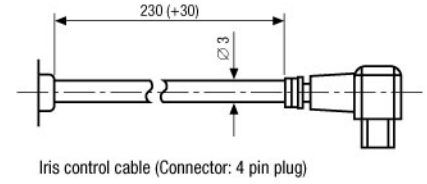
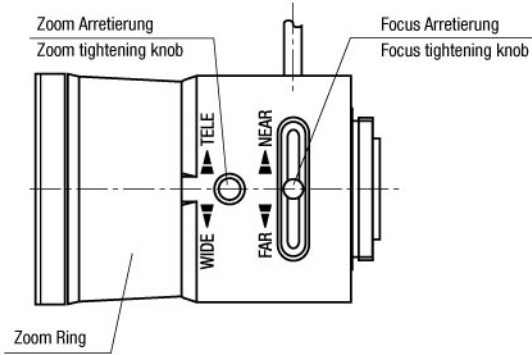
(Continuation Specifications)

<b>Cable length</b>	approx. 23cm
<b>4-pin plug</b>	Standard
<b>Temperature range (operation)</b>	-10°C ~+50°C
<b>Length</b>	85,6 mm
<b>Diameter</b>	40,5 mm
<b>Radius</b>	29 mm
<b>Dimensions (LxDxH)</b>	See drawing
<b>Weight</b>	85g

# YV10X5HR4A-SA2L

Home | Security | Lenses | Varifocal

## Technical drawing



Maße/Dimensions: mm

SLD Security & Communications  
The Old Forge, Ockham Lane, Ockham, Surrey GU236PH England  
Phone +44.1483225633 · Fax +44.1483225634  
sales@sld.co.uk · www.sld.co.uk

SLD Security & Communications

