

# DH-5-W

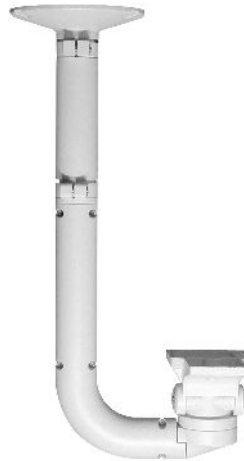
Home | Security | Housings | Accessories

DH-5-W

Ceiling Bracket with adjustable Housing Mount Angle,

RAL9016

**Art-Nr. 73176**



## Main Features

For ceiling mount

For VHM and VTL series standard housings

Pan and tilt mounting

Conduit cabling through the bracket

Rugged construction

Ready for installation

Not usable for housings with integrated wall mount

## Specifications

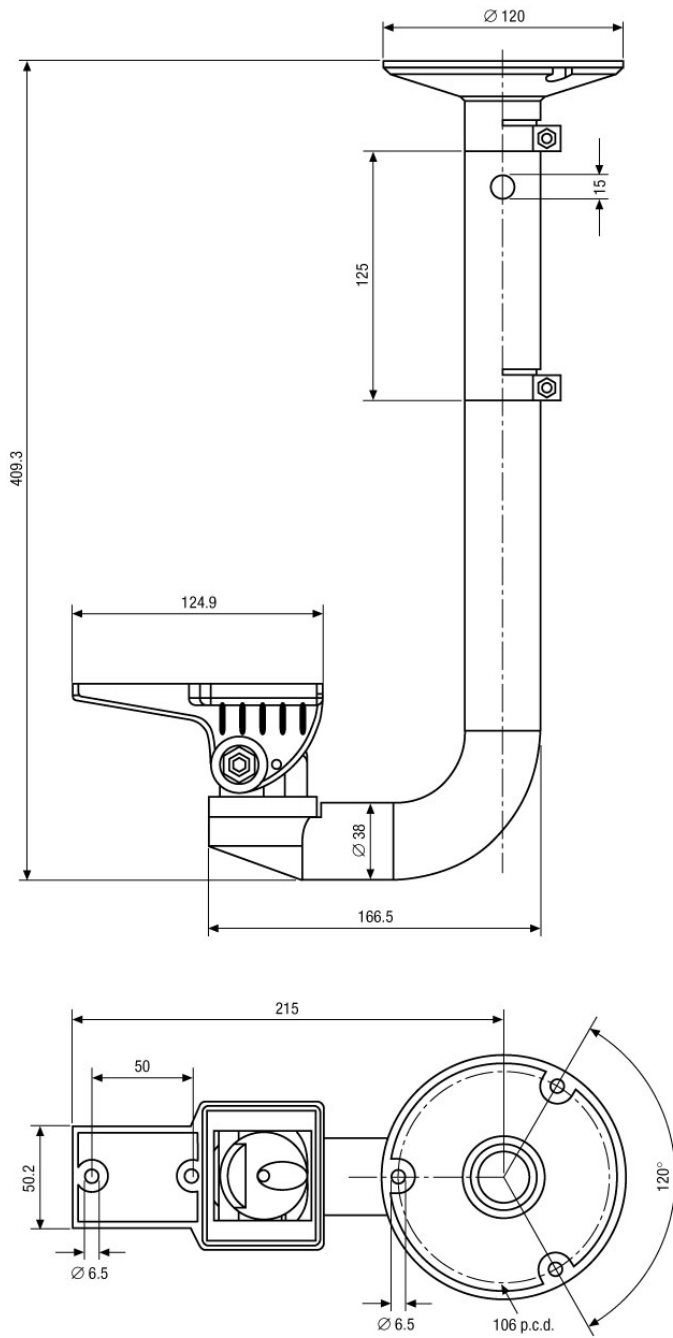
Mounting distance from fixing point	312mm
Colour	RAL9016
Weight	2.1kg
Turning range of the swivel head	360°
Tilt range	+/-75°
Load capacity	9kg
Material	Aluminium
Dimensions (HxWxD)	see drawing

# DH-5-W

## Product information

When mounting the ceiling mount bracket, ensure that only dowels which are approved for this type of construction are used.

## Technical drawing



Maße/Dimensions: mm

SLD Security & Communications  
The Old Forge, Ockham Lane, Ockham, Surrey GU236PH England  
Phone +44.1483225633 · Fax +44.1483225634  
sales@sld.co.uk · www.sld.co.uk

