

VHM/ECLKA-210

Home | Security | Housings | for Boxed Cameras

VHM/ECLKA-210
Weatherproof Housing (210mm) with Heater,
Thermostat, CBD, RAL7032, 230VAC

Art-Nr. 79543



Main Features

Camera Weatherprotection	3 Cable Entries
Housing Body Length: 210mm	Screen Heater 230VAC Included
Fold-down Housing Body	Viewing Screen with "Clear-Shield"Technology
4 Levels of Camera Height Adjustment	Incorporated Carrier Handle
Insulated Camera Mounting	Housing Surface: RAL7032
Integrated Connection Board	

Specifications

Series	eneo VHM
Maximum installation length	210
Space for power supply	NE-112 (1 output): 85mm; NE-112/2 (2 outputs): 110mm
Cable entries	3x M16x1.5mm
Window screen	Coated with "Clear Shield"Technology. With this technology the glass corrosion, caused by environmental pollution, is avoided and screen cleaning cycles will be extended. The coating is UV light resistant, colour neutral and it causes no F-stop loss.
Clear Shield	yes
Window heater	yes, 110~265VAC/9watts (PTC)
Thermostat	On: +16°C, Off: +20°C
Blower	no
Wiper	no
Supply voltage	100~240VAC

VHM/ECLKA-210

(Continuation Specifications)

Sunshield	yes
Hidden cable management	no
Integrated wall mount	no
Protection rating	IP66
Housing	Outdoor
Housing material	Aluminium
Housing	Aluminium with plastic covers (ABS)
Colour (housing)	RAL7032
Dimensions (HxWxD)	125x133x353mm
Weight	2.2kg
Parts supplied	Screw set, Thermostat switch, Screw terminal

Optional accessories

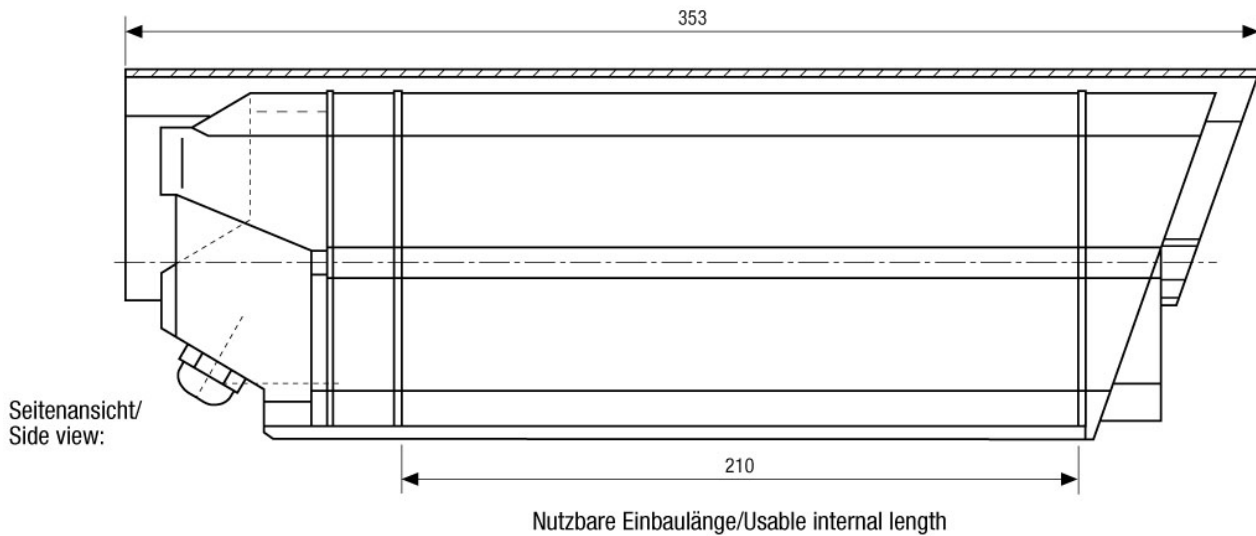
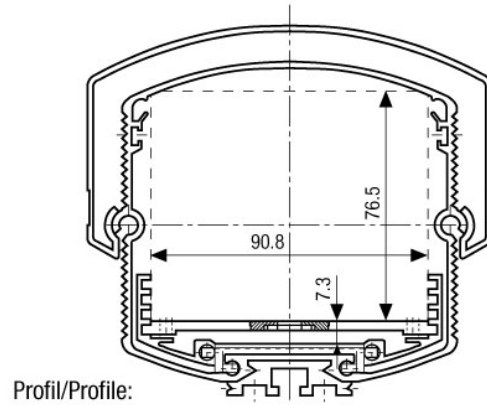
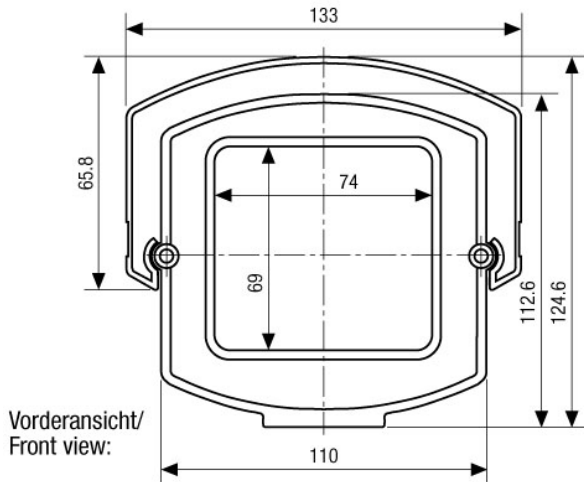
79364	NE-112	Power Supply Unit 230VAC/12VDC (600mA) for VHM Housing, Regulated
73178	WD-16/MK-KG	Wall Mount with Swivel Head for VHM Weatherproof Housings, RAL7032
70457	AK-3	Camera Connection box, 230VAC Input, 24VAC-3.2A, 12VDC-1A Outputs
73082	WD-14/MKL	Wall Mount with Swivel Head for Weatherproof Housings, RAL7032
79491	NE-112/AC24V	Power Supply Unit 230VAC/24VAC (600mA) for VHM Housing
73064	WD-16/MK	Wall Mount with Swivel Head for VHM Weatherproof Housings, RAL7032
71601	VHM/H24	VHM Window Heater 12-30V (PTC Element)
79423	NE-112/2	Power Supply Unit 230VAC/12VDC (600mA), Regulated, 24VAC (1000mA) f. VHM Housing

VHM/ECLKA-210

Home | Security | Housings | for Boxed Cameras

Technical drawing

79416



Maße/Dimensions: mm

SLD Security & Communications
The Old Forge, Ockham Lane, Ockham, Surrey GU236PH England
Phone +44.1483225633 · Fax +44.1483225634
sales@sld.co.uk · www.sld.co.uk

