

VHM/ECLKA-W

Home | Security | Housings | for Boxed Cameras

VHM/ECLKA-W

Weatherproof Housing (330mm) w. Heater,

Thermostat, CBD, RAL9016/7035, 230VAC

Art-Nr. 79674



SLD Security & Communications

Main Features

Camera weather protection	3 cable entries M16x1.5mm
Housing body length: 330mm	PTC window heater 100-265V included
Fold-down housing body	Window glass with "Clear-Shield" technology
4 levels of camera height adjustment	Incorporated carrier handle
Insulated camera mounting	Protection rating: IP66
Integrated connection board	Housing colour: RAL9016/RAL7035

Specifications

Series	eneo VHM
Maximum installation length	330
Space for power supply	NE-112 (1 output): 85mm; NE-112/2 (2 outputs): 110mm
Cable entries	3x M16x1.5mm
Window screen	Coated with "Clear Shield" Technology. With this technology the glass corrosion, caused by environmental pollution, is avoided and screen cleaning cycles will be extended. The coating is UV light resistant, colour neutral and it causes no F-stop loss.
Clear Shield	yes
Window heater	yes, 110~265VAC/9watts (PTC)
Thermostat	On: +16°C, Off: +20°C
Blower	no
Wiper	no
Supply voltage	100~240VAC

VHM/ECLKA-W

(Continuation Specifications)

Sunshield	yes
Hidden cable management	optional
Integrated wall mount	no
Protection rating	IP66
Housing	outdoor
Housing material	aluminium
Housing	Aluminium with plastic covers (ABS)
Colour (housing)	RAL9016, RAL7035
Temperature range	-30 to +60°C
Dimensions (HxWxD)	see drawing
Weight	2.8kg
Parts supplied	Screw set, Thermostat switch, Screw terminal

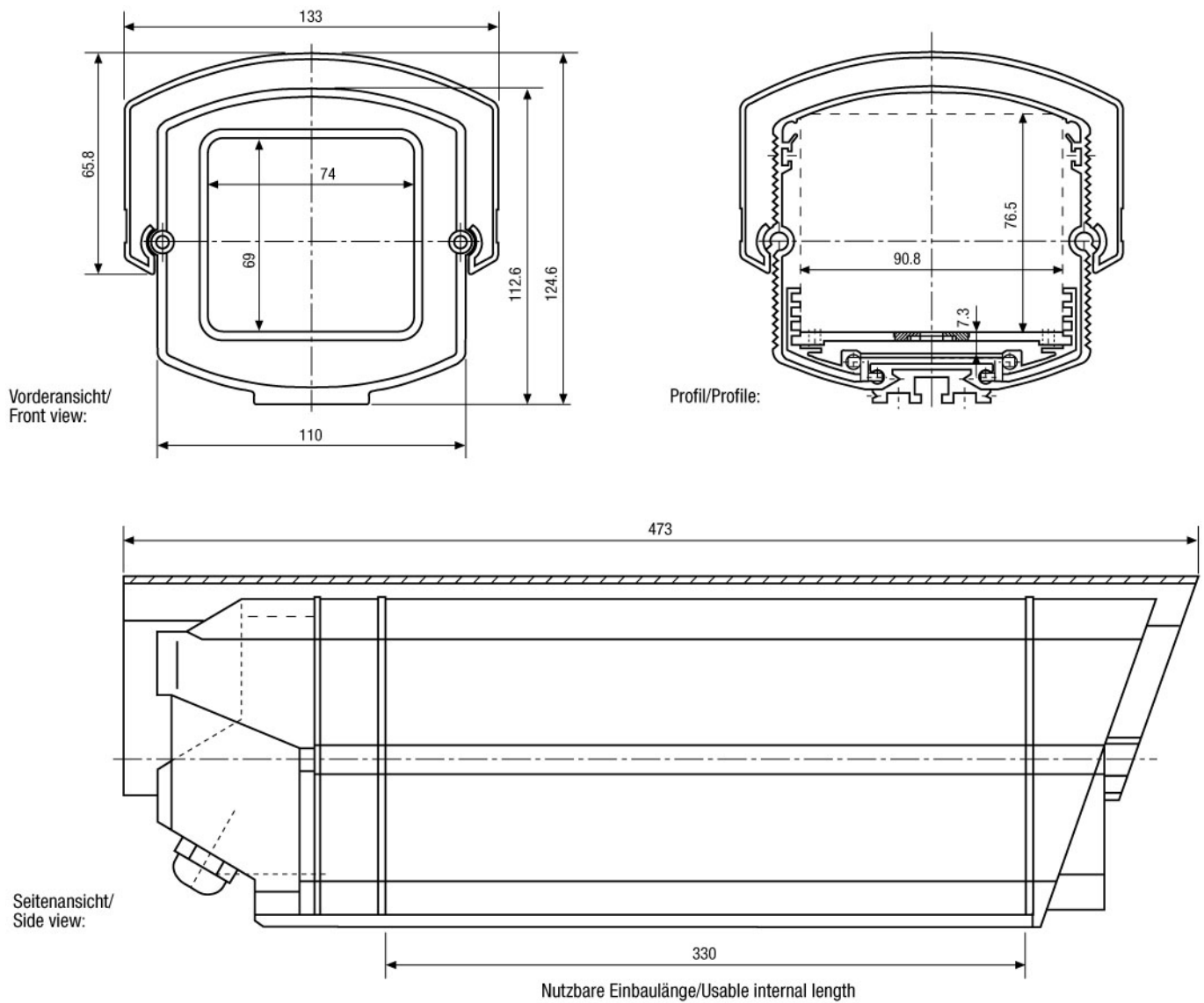
Optional accessories

70457	AK-3	Camera Connection box, 230VAC Input, 24VAC-3.2A, 12VDC-1A Outputs
79364	NE-112	Power Supply Unit 230VAC/12VDC (600mA) for VHM Housing, Regulated
79491	NE-112/AC24V	Power Supply Unit 230VAC/24VAC (600mA) for VHM Housing
79423	NE-112/2	Power Supply Unit 230VAC/12VDC (600mA), Regulated, 24VAC (1000mA) f. VHM Housing
73177	WD-16/MK-W	Wall Mount with Swivel Head for VHM Weatherproof Housings, RAL9016
79696	VHM/PC-1-LG	Plug-in shield for VHM/EC&ST Housing Series, 330mm, RAL7035

VHM/ECLKA-W

Home | Security | Housings | for Boxed Cameras

Technical drawing



Maße/Dimensions: mm

SLD Security & Communications
The Old Forge, Ockham Lane, Ockham, Surrey GU236PH England
Phone +44.1483225633 · Fax +44.1483225634
sales@sld.co.uk · www.sld.co.uk

