

# VHM/ECLKB-210

Home | Security | Housings | for Boxed Cameras

VHM/ECLKB-210  
Weatherproof Housing (210mm) with Heater,  
Thermostat, CBD, RAL7032, 24VAC

**Art-Nr. 79555**



## Main Features

<b>Camera Weatherprotection</b>	<b>3 Cable Entries</b>
<b>Housing Body Length: 210mm</b>	<b>Screen Heater 12-30V Included</b>
<b>Fold-down Housing Body</b>	<b>Viewing Screen with "Clear-Shield"Technology</b>
<b>4 Levels of Camera Height Adjustment</b>	<b>Incorporated Carrier Handle</b>
<b>Insulated Camera Mounting</b>	<b>Housing Surface: RAL7032</b>
<b>Integrated Connection Board</b>	

## Specifications

<b>Series</b>	eneo VHM
<b>Maximum installation length</b>	210
<b>Cable entries</b>	3x M16x1.5mm
<b>Window screen</b>	Coated with "Clear Shield"Technology. With this technology the glass corrosion, caused by environmental pollution, is avoided and screen cleaning cycles will be extended. The coating is UV light resistant, colour neutral and it causes no F-stop loss.
<b>Clear Shield</b>	yes
<b>Window heater</b>	yes, 12~30V/9watts (PTC)
<b>Thermostat</b>	On: +16°C, Off: +20°C
<b>Blower</b>	no
<b>Wiper</b>	no
<b>Supply voltage</b>	12~30VAC/DC
<b>Sunshield</b>	yes

## VHM/ECLKB-210

(Continuation Specifications)

<b>Hidden cable management</b>	no
<b>Integrated wall mount</b>	no
<b>Protection rating</b>	IP66
<b>Housing</b>	Outdoor
<b>Housing material</b>	Aluminium
<b>Housing</b>	Aluminium with plastic covers (ABS)
<b>Colour (housing)</b>	RAL7032
<b>Dimensions (HxWxD)</b>	See drawing
<b>Weight</b>	2.2kg
<b>Parts supplied</b>	Screw set, Thermostat switch, Screw terminal

### Optional accessories

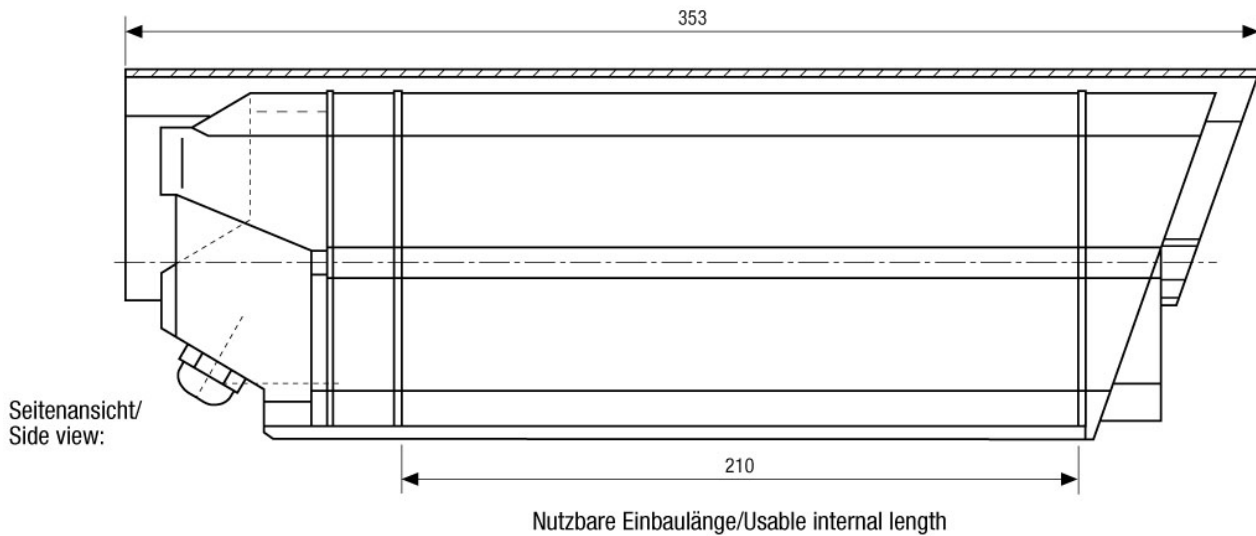
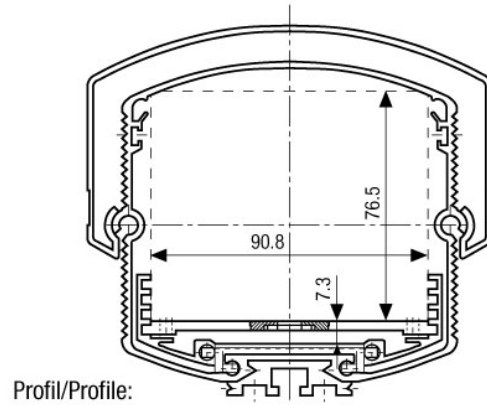
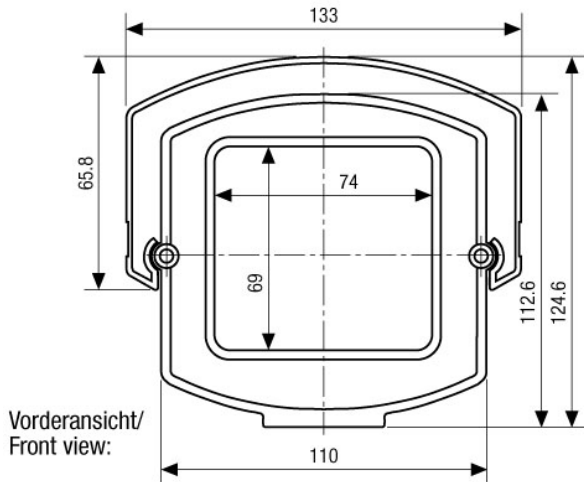
<b>73178</b>	<b>WD-16/MK-KG</b>	Wall Mount with Swivel Head for VHM Weatherproof Housings, RAL7032
<b>73082</b>	<b>WD-14/MKL</b>	Wall Mount with Swivel Head for Weatherproof Housings, RAL7032
<b>73064</b>	<b>WD-16/MK</b>	Wall Mount with Swivel Head for VHM Weatherproof Housings, RAL7032
<b>71301</b>	<b>VHM/H220</b>	VHM Window Heater 110-265VAC (PTC Element)

# VHM/ECLKB-210

Home | Security | Housings | for Boxed Cameras

## Technical drawing

79416



Maße/Dimensions: mm

SLD Security & Communications  
The Old Forge, Ockham Lane, Ockham, Surrey GU236PH England  
Phone +44.1483225633 · Fax +44.1483225634  
sales@sld.co.uk · www.sld.co.uk

