

VHM/ECLKB-W

Home | Security | Housings | for Boxed Cameras

VHM/ECLKB-W

Weatherproof Housing (330mm), w. Heater,

Thermostat, CBD, RAL9016/7035, 24VAC

Art-Nr. 79676



SLD Security & Communications

Main Features

Camera weather protection

Housing body length: 330mm

Fold-down housing body

4 levels of camera height adjustment

Insulated camera mounting

Integrated connection board

3 cable entries M16x1.5mm

PTC window heater 12-30V included

Window glass with "Clear-Shield" technology

Incorporated carrier handle

Protection rating: IP66

Housing colour: RAL9016/RAL7035

Specifications

| | |
|-----------------------------|---|
| Series | eneo VHM |
| Maximum installation length | 330 |
| Cable entries | 3x M16x1.5mm |
| Window screen | Coated with "Clear Shield" Technology. With this technology the glass corrosion, caused by environmental pollution, is avoided and screen cleaning cycles will be extended. The coating is UV light resistant, colour neutral and it causes no F-stop loss. |
| Clear Shield | yes |
| Window heater | yes, 12~30V/9watts (PTC) |
| Thermostat | On: +16°C, Off: +20°C |
| Blower | no |
| Wiper | no |
| Sunshield | yes |
| Hidden cable management | optional |

VHM/ECLKB-W

(Continuation Specifications)

| | |
|------------------------------|--|
| Integrated wall mount | no |
| Protection rating | IP66 |
| Housing | outdoor |
| Housing material | aluminium |
| Housing | Aluminium with plastic covers (ABS) |
| Colour (housing) | RAL9016, RAL7035 |
| Temperature range | -30 to +60°C |
| Dimensions (HxWxD) | see drawing |
| Weight | 2.8kg |
| Parts supplied | Screw set, Thermostat switch, Screw terminal |
| Certificates | CE |

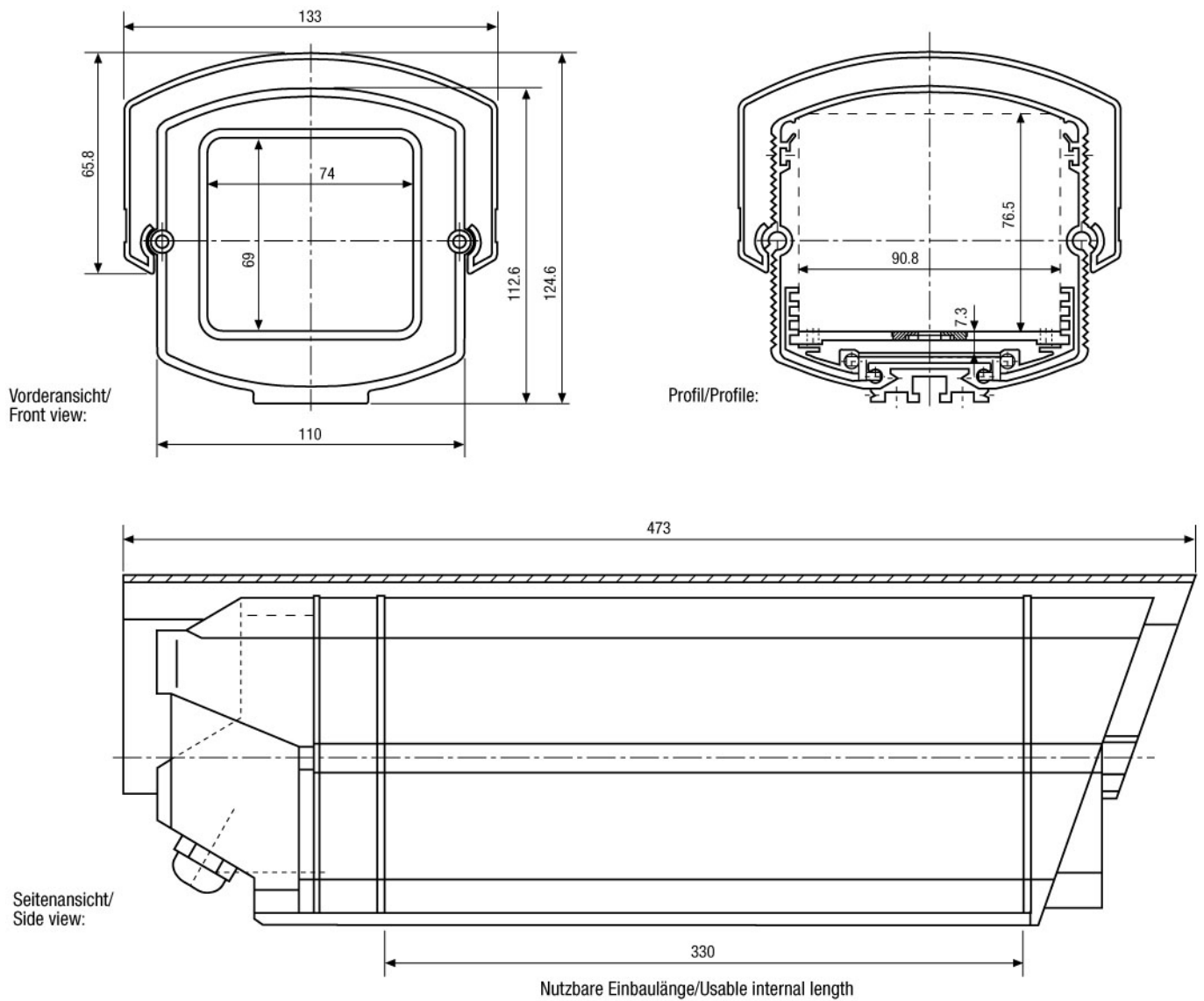
Optional accessories

| | | |
|--------------|--------------------|--|
| 73177 | WD-16/MK-W | Wall Mount with Swivel Head for VHM Weatherproof Housings, RAL9016 |
| 79696 | VHM/PC-1-LG | Plug-in shield for VHM/EC&ST Housing Series, 330mm, RAL7035 |

VHM/ECLKB-W

Home | Security | Housings | for Boxed Cameras

Technical drawing



Maße/Dimensions: mm

SLD Security & Communications
The Old Forge, Ockham Lane, Ockham, Surrey GU236PH England
Phone +44.1483225633 · Fax +44.1483225634
sales@sld.co.uk · www.sld.co.uk

