

Video Security



VMC-10.4LCD-CP

10.4" (26.4cm) LCD/TFT Colour Monitor with Stand and PSU, Silvergrey Housing

Art-No. 90438



Features

10.4" (26.4cm) Display Screen Size
 PAL/NTSC Automatic Selection
 Multi Language On-screen Menu Control
 Resolution: 800x600 Pixel
 CVBS, S-Video, VGA and Audio Inputs

Built-in Loudspeaker
 Angled Monitor Stand included
 Supply Voltage: 12VDC/230VAC
 Robust Plastic Cabinet
 Various of Applications

Specifications

Video standard	PAL, NTSC (Auto detection)
Display element	Colour TFT/LCD, Total no. of pixels: 480 000
Screen size	10.4" (26.4cm)
Active area	211.7 (H) x 158.4 (V) mm
Pixel format	800 (H) x 600 (V); 0.264x0.264mm
Resolution	800x600 Pixels max. (PC/RGB)
Pixel fault class	ISO 13406-2, Class II
Colour scales	262.144 (6bit)
Contrast ratio typ.	400:1
Brightness typ.	220cd/m ²
Angle of view (L/R/B/T) typ.	+/-55°, +/-40°
Scanning frequency range (H)	15.63 ~ 15.73kHz
Scanning frequency range (V)	50 ~ 60Hz
Response time (typ.)	45ms (tr: 15 / tf: 30)
Horizontal resolution	Approx. 420TVL (CVBS)
Synchronization	TTL Separate, Composite
Input signals	CVBS, S-VHS, RGB (switchable), Audio
PC interface	VESA standard: VGA to SVGA, 15-pin

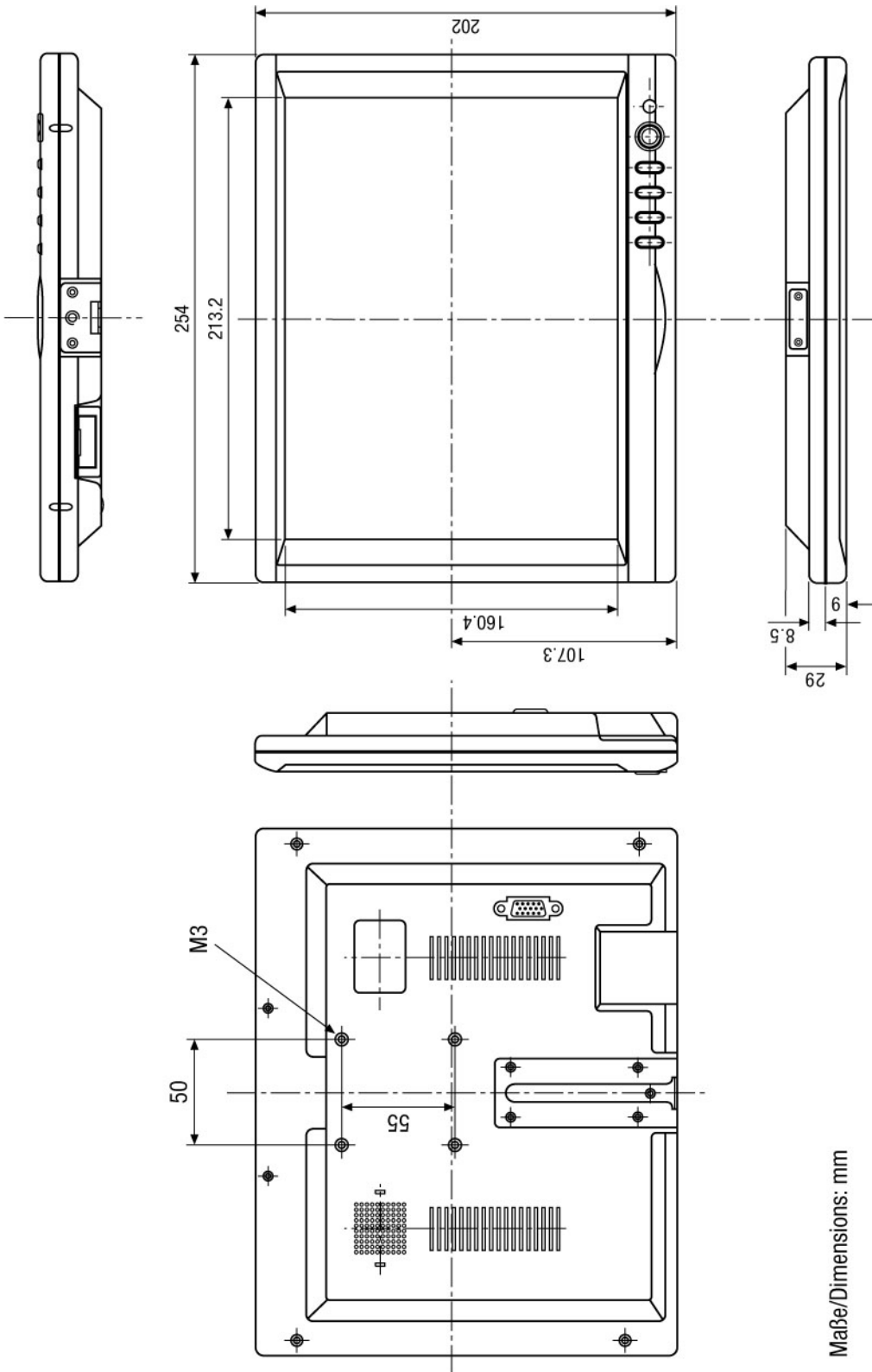
VMC-10.4LCD-CP

(Specifications continued)

Video inputs	1Vp-p (C)VBS, 75ohms, Cinch; Y/C: Y= 0.7Vss, C= 0.3Vss, 75ohms, 4-pin Mini DIN
Audio input	1x Mono input, 400mVrms
Loudspeaker	0.5watts
External adjustments	On/Off, Menu, Mode, Cursor
Menu languages	English, German, French, Spanish, Italian, Korean, Japanese
Remote control	IR remote control unit supplied
Supply voltage	12VDC +/-5% (Power supply unit included)
Power consumption	9.6watts max.
Temperature range	0°C ~ +50°C
Housing	Plastic
Colour	Silver Metallic
Dimensions (HxWxD)	See drawing
Mount	Angled stand and 4x threads M3, 50x55mm, for wall mounting (see drawing)
Weight	1.5Kg
Parts supplied	Monitor stand, PSU 100~240V/12VDC with power cord, 1x Multiple connection cable (S-Video IN, Power IN, CVBS IN, Audio IN), 1x VGA cable, Cigarette lighter adapter cable, 1x AV adapter cable, Cinch/BNC adapter, IR remote control unit, Multiple language manual

Accessories

90426 / VMC-LCD/WMB-1	Wall Bracket for TFT/LCD Monitors, straight
90453 / VMC-LCD/8-10MP	Adapter Plate for Wall Bracket Fixing to VMC-8.4/10.4LCD-CP Series
90394 / VMC-LCD/WCMB-1	Wall/Ceiling Bracket for LCD Monitors 15"/17"/19" P/PT/D Series



Maße/Dimensions: mm

SLD Security & Communications
 The Old Forge, Ockham Lane, Ockham, Surrey GU236PH England
 Phone +44.1483225633 · Fax +44.1483225634
 sales@sld.co.uk · www.sld.co.uk

